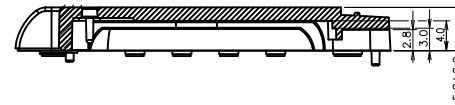
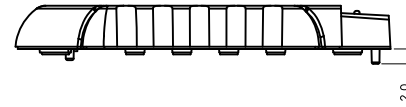
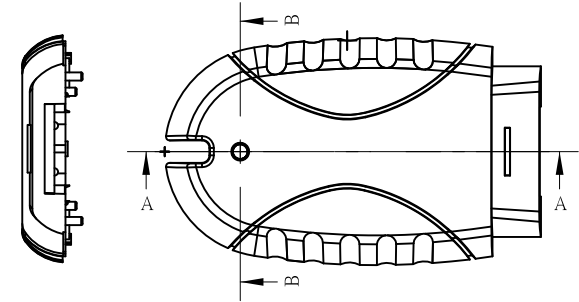
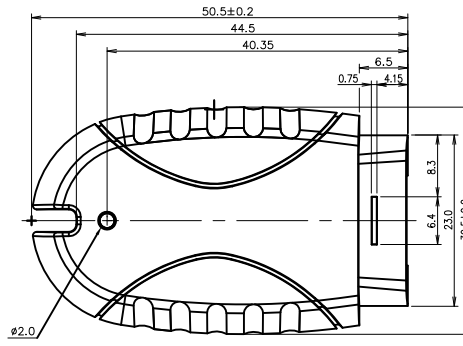
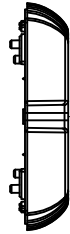
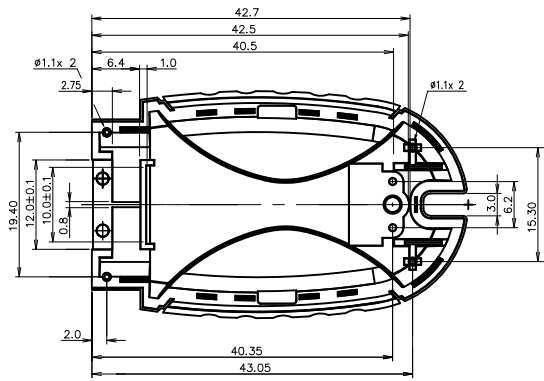
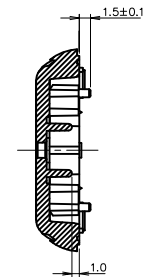


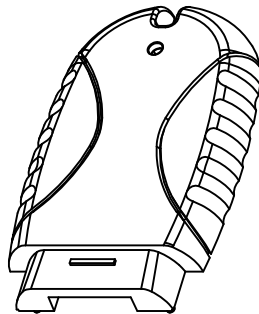
REV.	MARK	ECN NO.	MODIFY DES.	DR.	DATE
A				EAGLE WANG	09/02/04



A-A SECTION



B-B SECTION



NOTE:  
 1.MATERIAL: Polycarbonates+Acrylonitrile  
 Butadine Styrene , PC+ABS+TPU,COLOR: 灰黑色

DWG NO. 14402-ATG4170		ATERGI TECHNOLOGY CO., LTD.									
P/N 144207-00ATG030		APPD:	TITLE:								
DRAFT WHERE APPLICABLE MUST REMAIN WITHIN DIMENSIONS TOLERANCES		CHKD:	UPPER CASE								
<table border="1"> <tr> <td><del>X. ±</del></td> <td><del>X. ±</del></td> </tr> <tr> <td><del>.X ± 0.25</del></td> <td><del>.X ± 10°</del></td> </tr> <tr> <td><del>.XX ± 0.15</del></td> <td><del>.XX ± 5°</del></td> </tr> <tr> <td><del>.XXX ± 0.05</del></td> <td><del>.XXX ±</del></td> </tr> </table>		<del>X. ±</del>	<del>X. ±</del>	<del>.X ± 0.25</del>	<del>.X ± 10°</del>	<del>.XX ± 0.15</del>	<del>.XX ± 5°</del>	<del>.XXX ± 0.05</del>	<del>.XXX ±</del>	DR:	SCALE: 2 : 1
<del>X. ±</del>	<del>X. ±</del>										
<del>.X ± 0.25</del>	<del>.X ± 10°</del>										
<del>.XX ± 0.15</del>	<del>.XX ± 5°</del>										
<del>.XXX ± 0.05</del>	<del>.XXX ±</del>										
		REV. A	UNITS: mm								
		SHEET: 1 OF 1	DATE: 09,02,2004								