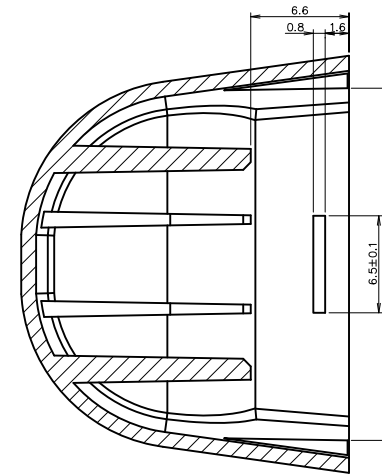
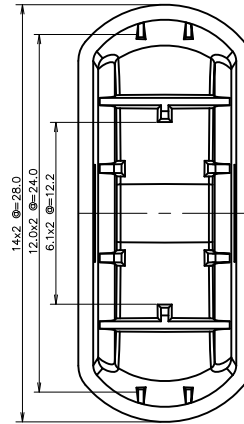
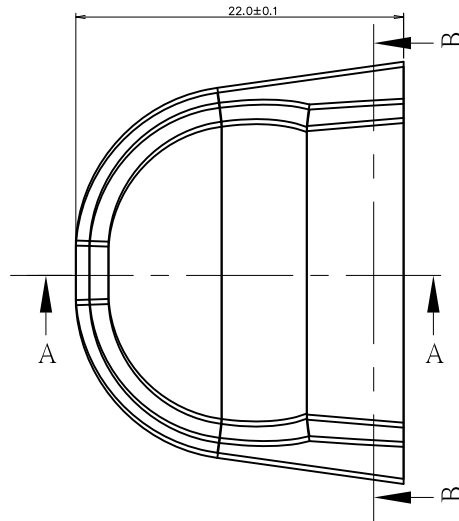
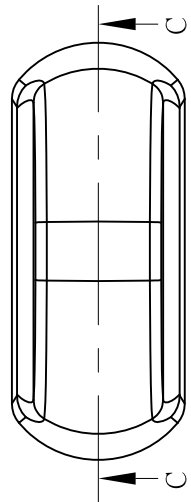
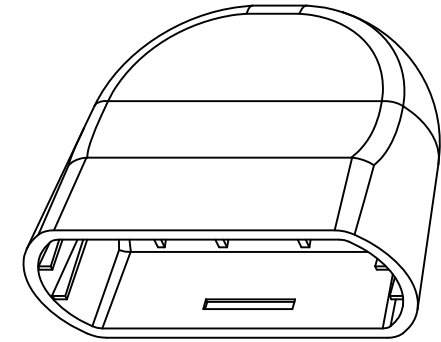
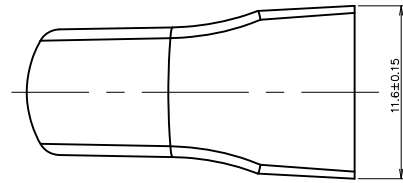
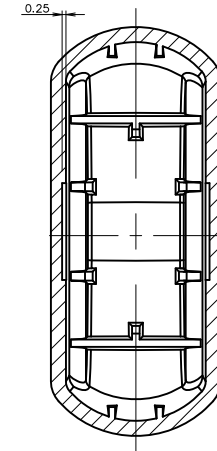


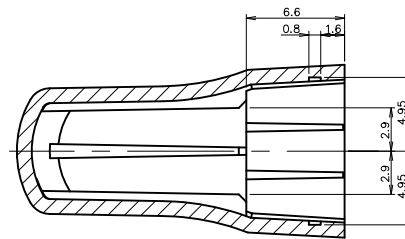
REV.	MARK	ECN NO.	MODIFY DES.	DR.	DATE
A				EAGLE WANG	09/02/04



C-C SECTION



B-B SECTION



A-A SECTION

NOTE:  
1.MATERIAL: Polycarbonates+Acrylonitrile  
Butadiene Styrene , PC+ABS,COLOR: 灰色

DWG NO. 14402-ATG190		ATERGI TECHNOLOGY CO., LTD.									
P/N 144208-00ATG060		APPD:	TITLE:								
DRAFT WHERE APPLICABLE MUST REMAIN WITHIN DIMENSIONS TOLERANCES		CHKD:	COVER								
<table border="1"> <tr> <td><del>X. ±</del></td> <td><del>X.' ±</del></td> </tr> <tr> <td>.X ± 0.25</td> <td>.X' ± 10'</td> </tr> <tr> <td>.XX ± 0.15</td> <td>.XX' ± 5'</td> </tr> <tr> <td>.XXX ± 0.05</td> <td>.XXX' ± 1'</td> </tr> </table>		<del>X. ±</del>	<del>X.' ±</del>	.X ± 0.25	.X' ± 10'	.XX ± 0.15	.XX' ± 5'	.XXX ± 0.05	.XXX' ± 1'	DR:	SCALE: 4 : 1
<del>X. ±</del>	<del>X.' ±</del>										
.X ± 0.25	.X' ± 10'										
.XX ± 0.15	.XX' ± 5'										
.XXX ± 0.05	.XXX' ± 1'										
		REV. A	UNITS: mm								
		SHEET: 1 OF 1	DATE: 09,02,2004								