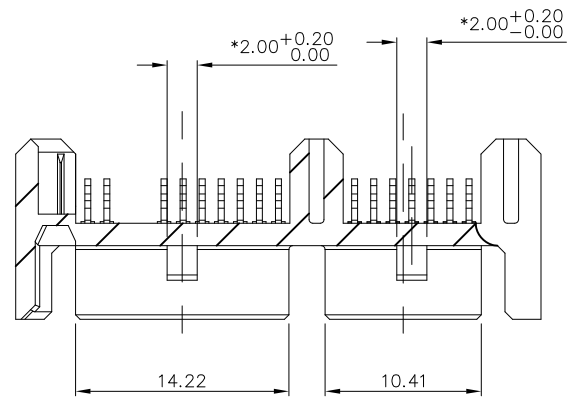
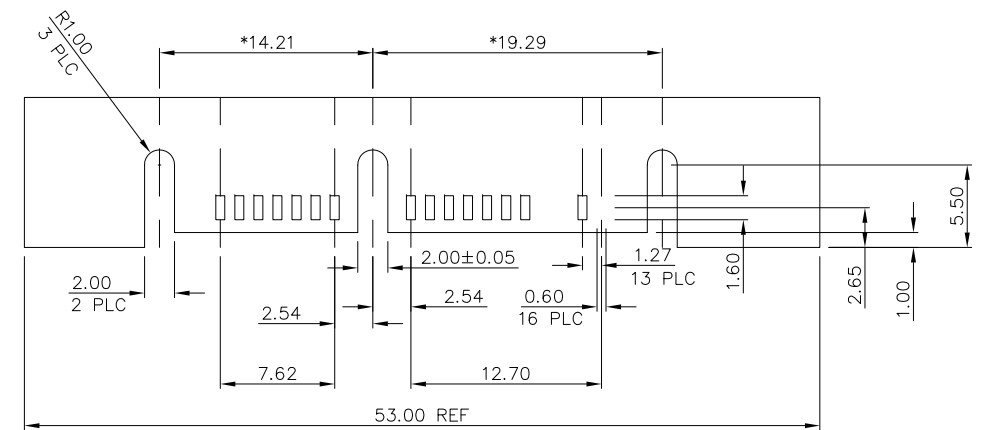


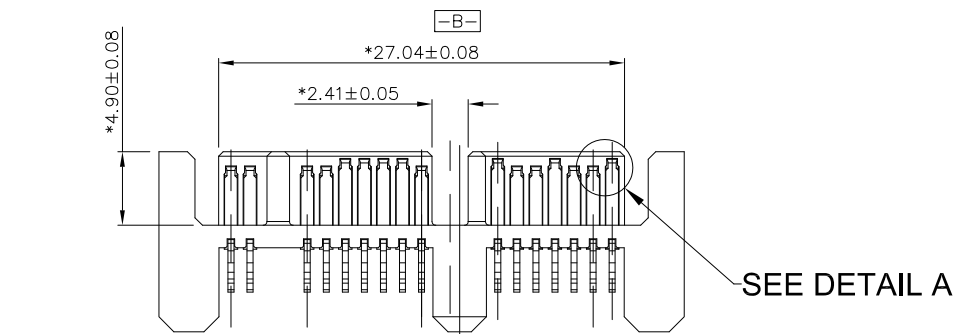
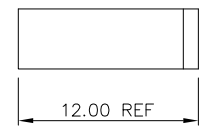
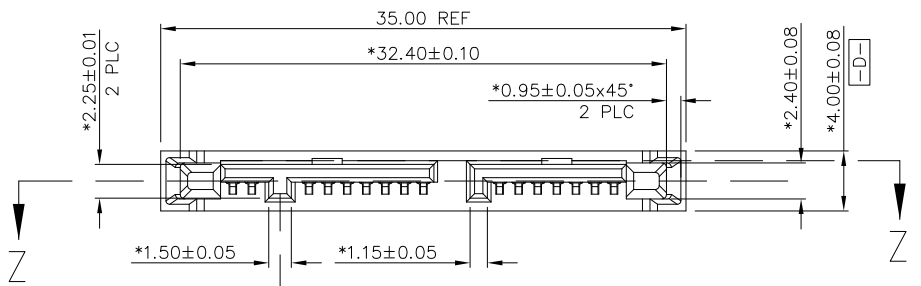
REV.	MARK	ECN NO.	MODIFY DES.	DR.	DATE
A		1st. Release		Liming	05/13/2008



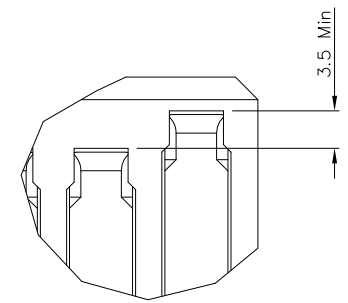
SECTION Z-Z



RECOMMENDED PCB LAYOUT



SEE DETAIL A



DETAIL A
SCALE 10:1

NOTES:

- MATERIAL :
HOUSING:
HIGH TEMP THERMOPLASTIC,
UL94 V-0, BLACK
CONTACT:
COPPER ALLOY
- CRITICAL DIMENSIONS MARK "*"

APPROVAL

DWG NO. 13912-ATG050		ATERGI TECHNOLOGY CO., LTD.	
P/N 139E30-90ATG310		APPD: <i>lung</i>	TITLE: CONNECTOR, MICRO SATA PLUG, 7P+9P STRADDLE MOUNT
DRAFT WHERE APPLICABLE MUST REMAIN WITHIN DIMENSIONS TOLERANCES		CHKD:	DR: <i>lung</i>
X. ±	X' ±	SCALE: 2 : 1	UNITS: mm
.X ± 0.15	.X' ± 3'	SHEET: 1 OF 1	DATE: 05,13,2008
.XX ± 0.10	.XX' ± 2'		
.XXX ± 0.05	.XXX' ± 1'		