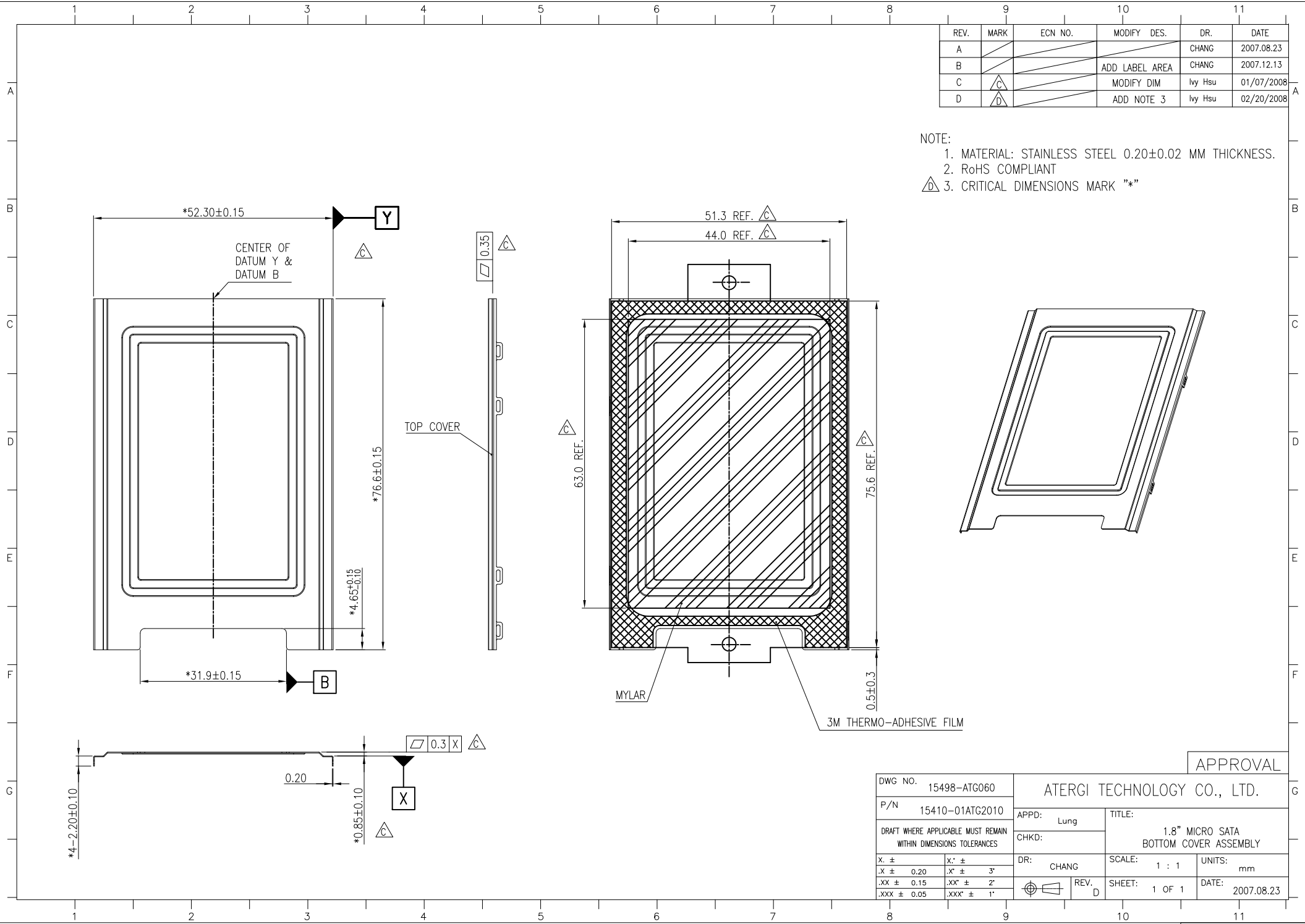


REV.	MARK	ECN NO.	MODIFY DES.	DR.	DATE
A				CHANG	2007.08.23
B			ADD LABEL AREA	CHANG	2007.12.13
C	△		MODIFY DIM	Ivy Hsu	01/07/2008
D	△		ADD NOTE 3	Ivy Hsu	02/20/2008

NOTE:
 1. MATERIAL: STAINLESS STEEL 0.20±0.02 MM THICKNESS.
 2. RoHS COMPLIANT
 △ 3. CRITICAL DIMENSIONS MARK "*"



DWG NO. 15498-ATG060		ATERGI TECHNOLOGY CO., LTD.	
P/N 15410-01ATG2010		APPD: Lung	TITLE: 1.8" MICRO SATA BOTTOM COVER ASSEMBLY
DRAFT WHERE APPLICABLE MUST REMAIN WITHIN DIMENSIONS TOLERANCES		CHKD:	SCALE: 1 : 1 UNITS: mm
X. ±	X' ±	DR: CHANG	SHEET: 1 OF 1 DATE: 2007.08.23
.X ± 0.20	.X' ± 3"	REV. D	
.XX ± 0.15	.XX' ± 2"		
.XXX ± 0.05	.XXX' ± 1"		

APPROVAL