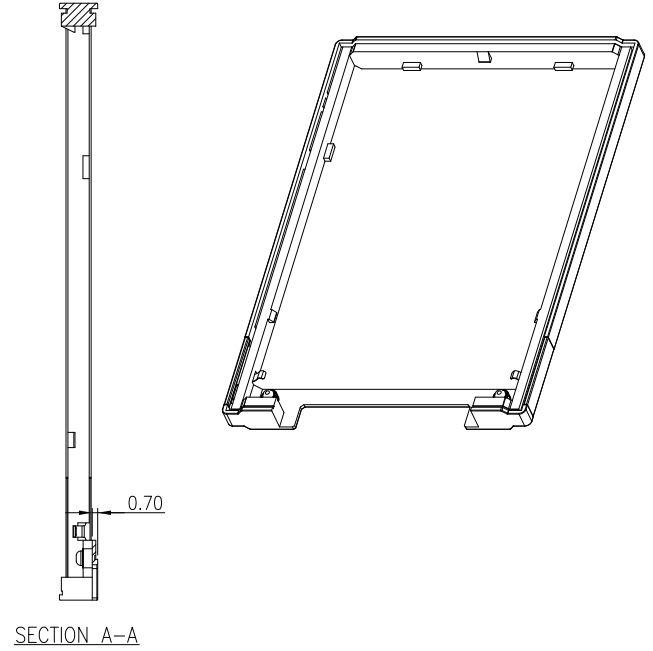
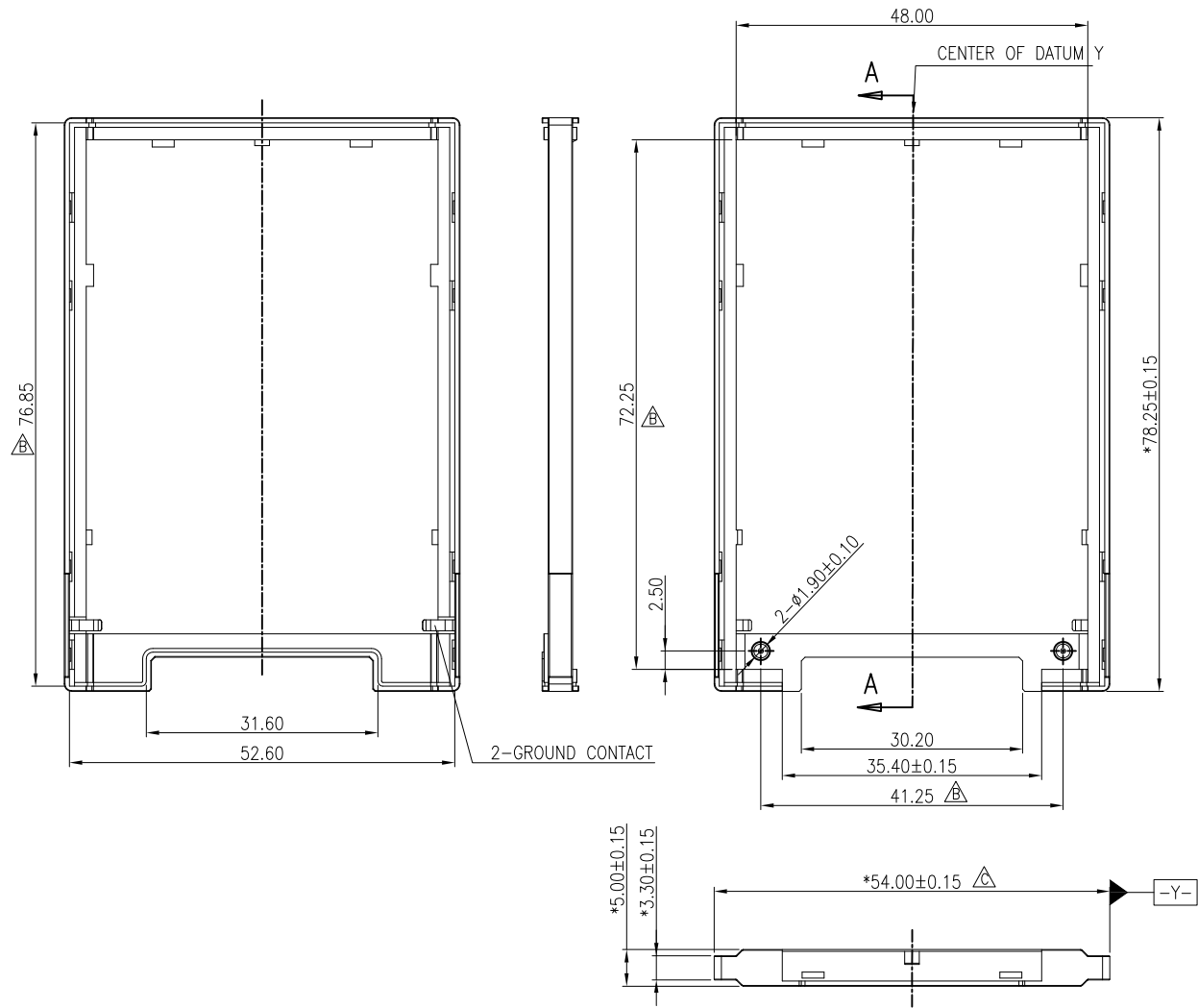


REV.	MARK	ECN NO.	MODIFY DES.	DR.	DATE
A				CHANG	2007.8.23
B			ADD DIM.	Ivy Hsu	01/08/2008
C			ADD DIM.	Ivy Hsu	02/19/2008
D			ADD NOTE 3	Ivy Hsu	02/20/2008

NOTES:
 1. MATERIAL:
 FRAME: PBT WITH 30% GLASS FIBER FILLED UL 94-V0 RATED.
 GROUND CONTACT: PHOSPHER BRONZE, GOLD PLATING.
 2. RoHS COMPLIANT
 3. CRITICAL DIMENSIONS MARK "*"



DWG NO. 15498-ATG070		ATERGI TECHNOLOGY CO., LTD.			
P/N 15410-01ATG3010		APPD: Lung	TITLE: 1.8" MICRO SATA SSD FRAME ASSEMBLY		
DRAFT WHERE APPLICABLE MUST REMAIN WITHIN DIMENSIONS TOLERANCES		CHKD:	DR: CHANG	SCALE: 1 : 1	UNITS: mm
X ± 0.20	X' ± 3"	REV. D	SHEET: 1 OF 1	DATE: 01/04/2008	
.XX ± 0.15	.XX' ± 2"				
.XXX ± 0.05	.XXX' ± 1"				

APPROVAL

EP-02-01A