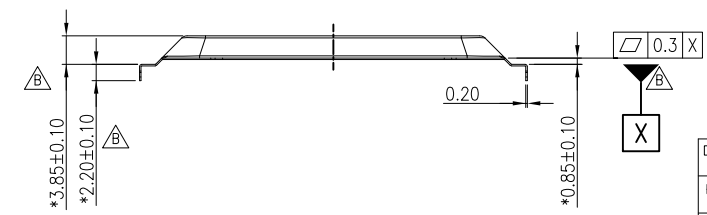
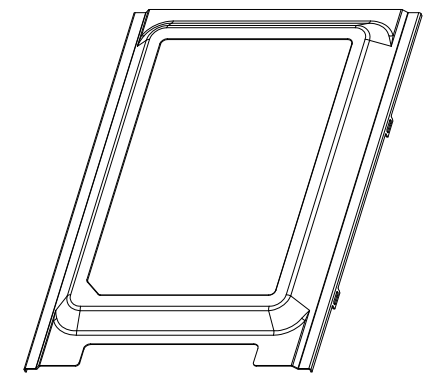
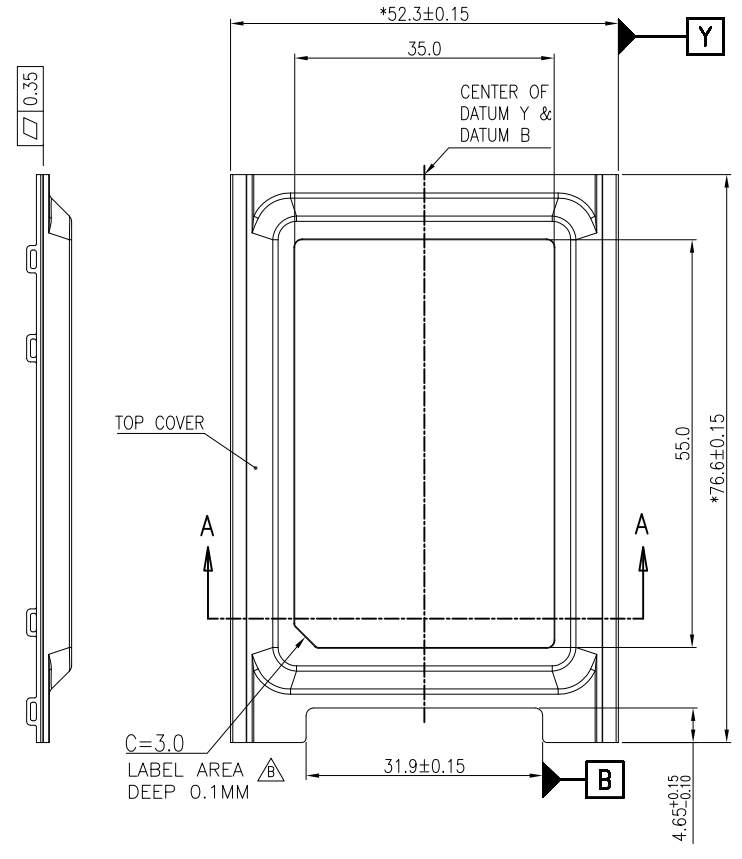
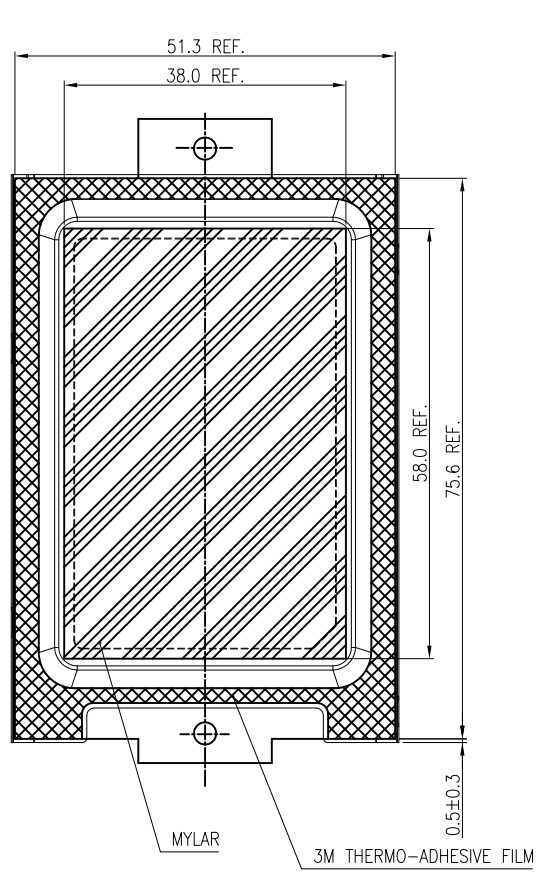


REV.	MARK	ECN NO.	MODIFY DES.	DR.	DATE
A				CHANG	2007.08.23
B	B		MODIFY DIM	Ivy Hsu	01/07/2008
C	C		ADD NOTE 3	Ivy Hsu	02/20/2008

NOTE:

1. MATERIAL: STAINLESS STEEL 0.20±0.02 MM THICKNESS.
2. RoHS COMPLIANT
3. CRITICAL DIMENSIONS MARK "*"



DWG NO. 15498-ATG050		ATERGI TECHNOLOGY CO., LTD.			
P/N 15410-01ATG1010		APPD: Lung	TITLE: 1.8" MICRO SATA SSD 8mm TOP COVER ASSEMBLY		
DRAFT WHERE APPLICABLE MUST REMAIN WITHIN DIMENSIONS TOLERANCES			CHKD:	DR: CHANG	SCALE: 1 : 1
X ±	X' ±	X'' ±	REV. C	SHEET: 1 OF 1	UNITS: mm
.X ± 0.20	.X' ± 3'	.X'' ± 2'		DATE: 2007.08.23	
.XX ± 0.15	.XX' ± 1'	.XXX ± 1'			

APPROVAL