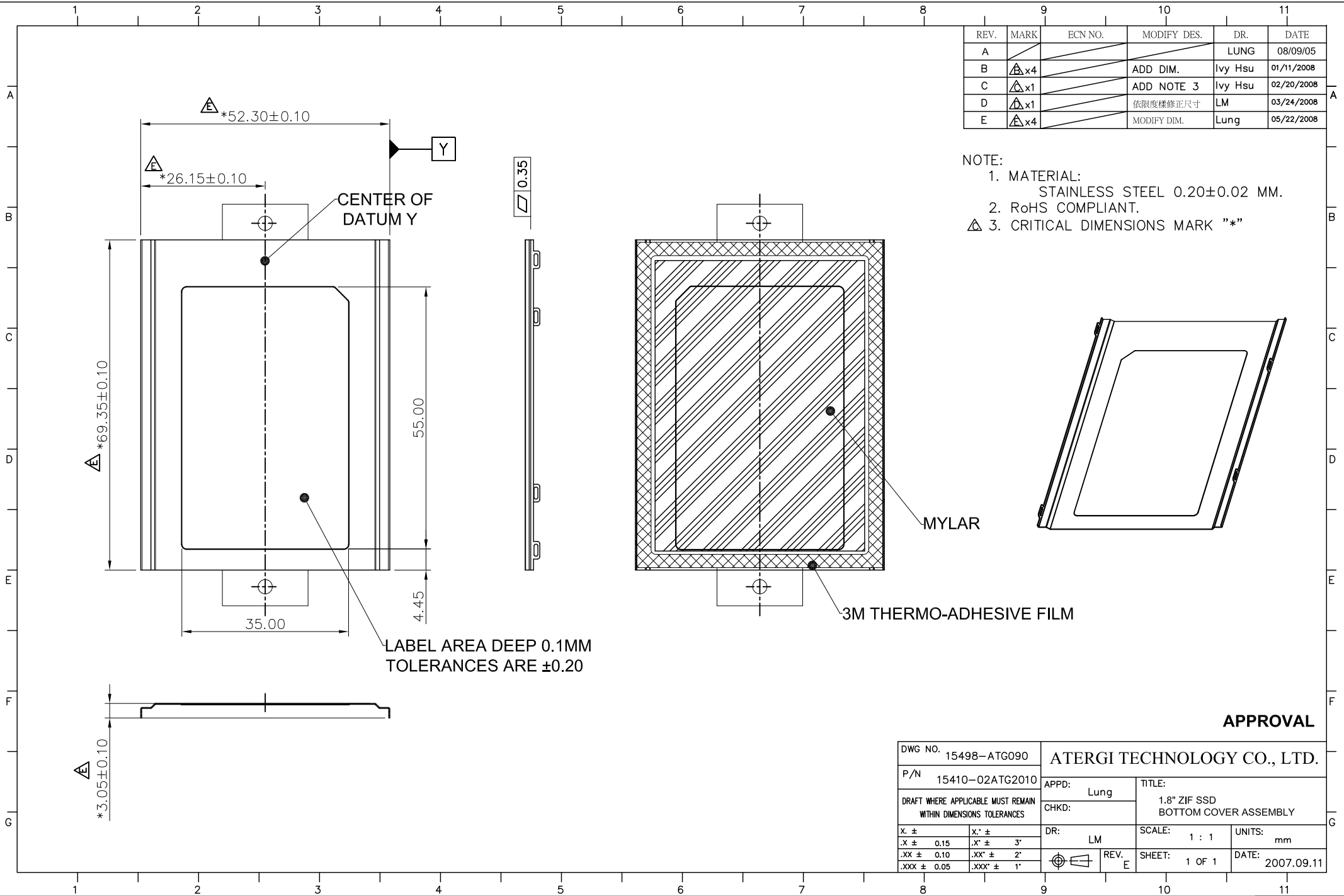


REV.	MARK	ECN NO.	MODIFY DES.	DR.	DATE
A				LUNG	08/09/05
B	△x4		ADD DIM.	Ivy Hsu	01/11/2008
C	△x1		ADD NOTE 3	Ivy Hsu	02/20/2008
D	△x1		依限度樣修正尺寸	LM	03/24/2008
E	△x4		MODIFY DIM.	Lung	05/22/2008

NOTE:

- MATERIAL:
STAINLESS STEEL 0.20±0.02 MM.
- RoHS COMPLIANT.
- CRITICAL DIMENSIONS MARK "*"*



APPROVAL

DWG NO. 15498-ATG090		ATERGI TECHNOLOGY CO., LTD.	
P/N 15410-02ATG2010		APPD: Lung	TITLE: 1.8" ZIF SSD BOTTOM COVER ASSEMBLY
DRAFT WHERE APPLICABLE MUST REMAIN WITHIN DIMENSIONS TOLERANCES		CHKD:	
DR: LM	SCALE: 1 : 1	UNITS: mm	
REV. E	SHEET: 1 OF 1	DATE: 2007.09.11	