

NOTES:

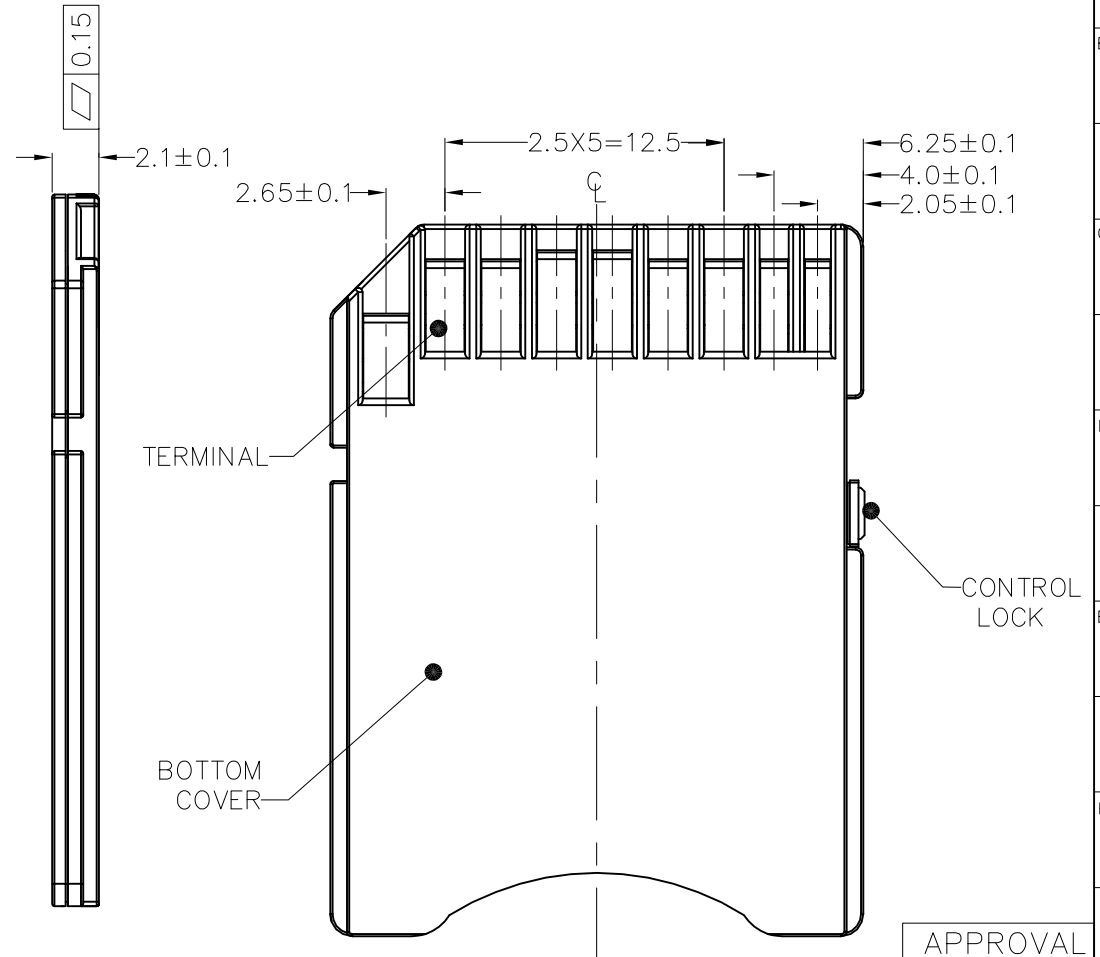
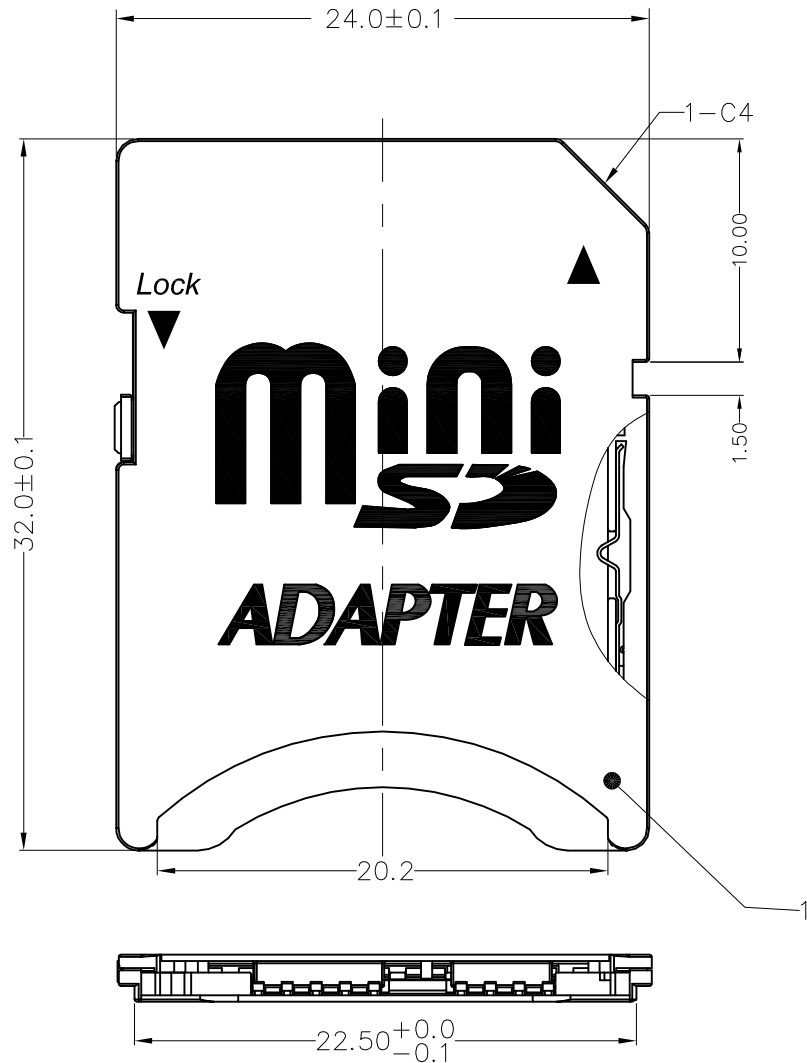
1.MATERIAL:

- BOTTOM COVER: ENGINEERING PLASTIC, PC+ABS UL94-V0
- SPRING: STAINLESS STEEL SHEET, $t=0.15\pm 0.005$
- TERMINAL: PHOSPHOR BRONZE
- CONTROL LOCK: POM
- TOP COVER:ENGINEERING PLASTIC, PC+ABS UL94-V0



- 2.PRINT COLOR: WHITE
- 3.GENERAL TOLERANCE: ± 0.15 .

REV.	MARK	ECN NO.	MODIFY DES.	DR.	DATE
A				Angel Hsieh	03/15/05
1.0		ECN.05053103	MODIFY NOTES	Angel Hsieh	03/15/05
1.1		ECN.07080901	MODIFY NOTES	Lung	08/09/07



APPROVAL

DWG NO. 14698-ATG050		ATERGI TECHNOLOGY CO., LTD.	
P/N 14610-02ATG1070		APPD: Lung	TITLE: MNS ASSEMBLY & PRINT
DRAFT WHERE APPLICABLE MUST REMAIN WITHIN DIMENSIONS TOLERANCES		CHKD:	
X. ±		DR: Angel Hsieh	SCALE: N : A
.X ±			UNITS: mm
.XX ±			REV. 1.1
.XXX ±			SHEET: 1 OF 1
			DATE: 03/15/05