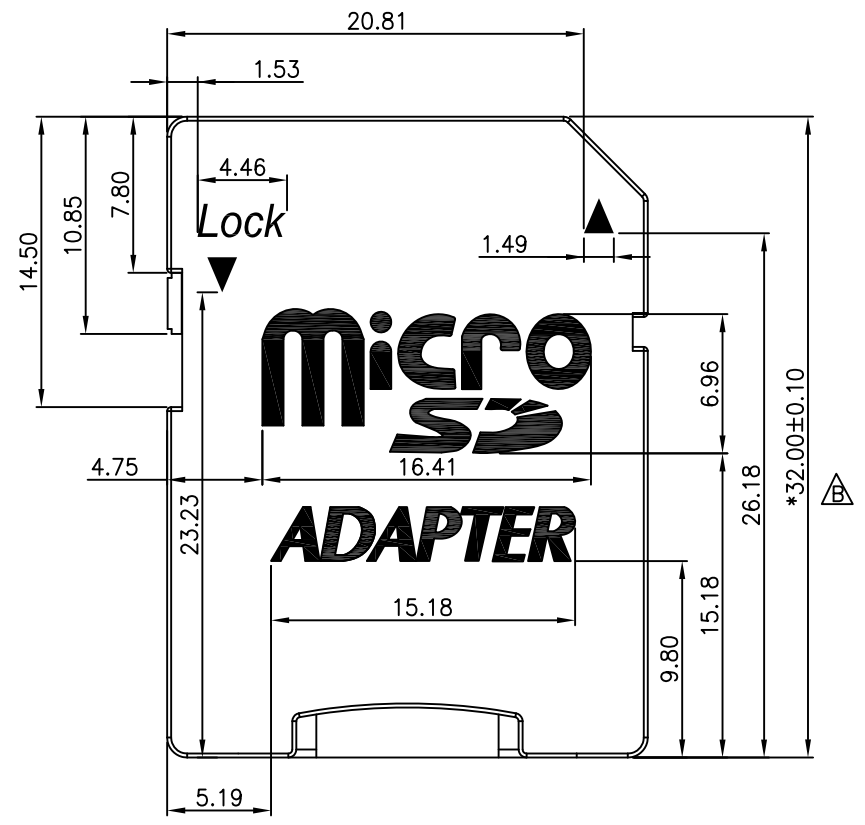
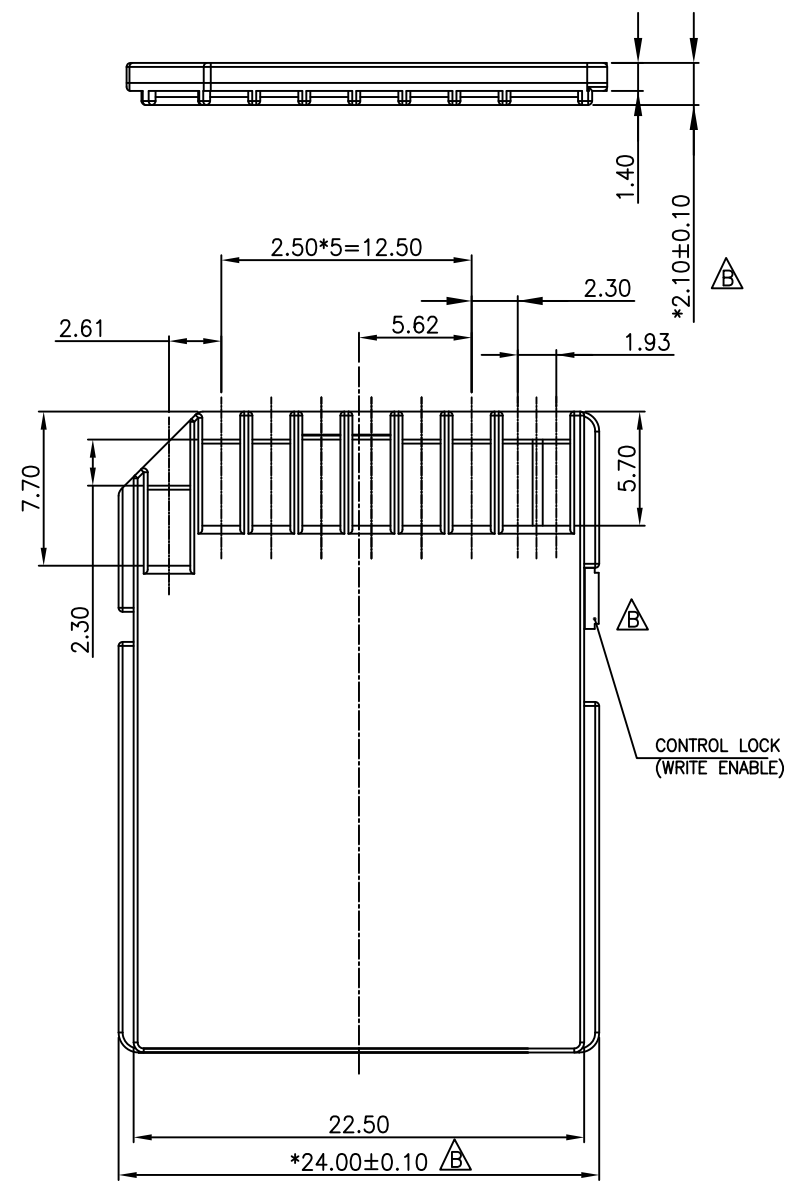


REV.	MARK	ECN NO.	MODIFY DES.	DR.	DATE
A				CHANG	12/20/05
B	△		REVISE DIM.	Ivy Hsu	02/19/2008

- △ NOTES:
- MATERIAL:
 - BOTTOM COVER: ENGINEERING PLASTIC, UL94-V0, COLOR IN BLACK
 - TERMINAL: COPPER ALLOY 0.15MM THICKNESS, GOLD PLATED
 - CONTROL LOCK: ENGINEERING PLASTIC, UL94-V0, COLOR IN WHITE
 - TOP COVER: ENGINEERING PLASTIC, UL94-V0, COLOR IN BLACK
 - CRITICAL DIMENSION MARK "*"
 - OTHER TOLERANCES ARE ±0.15MM
 - PRINTING TEXT COLOR: WHITE



DWG NO. 13498-ATG050	ATERGI TECHNOLOGY LTD.,		
P/N 13420-07ATG1010	APPD: Lung	TITLE:	
DRAFT WHERE APPLICABLE MUST REMAIN WITHIN DIMENSIONS TOLERANCES	CHKD:	Micro SD TO SD ADAPTER & PRINT	
X ± 0.15	X' ± 3°	DR: CHANG	SCALE: 1 : 1
.XX ± 0.10	.XX' ± 2°	REV. B	UNITS: mm
.XXX ± 0.05	.XXX' ± 1°	REV. B	SHEET: 1 OF 1
			DATE: 12,20,2005