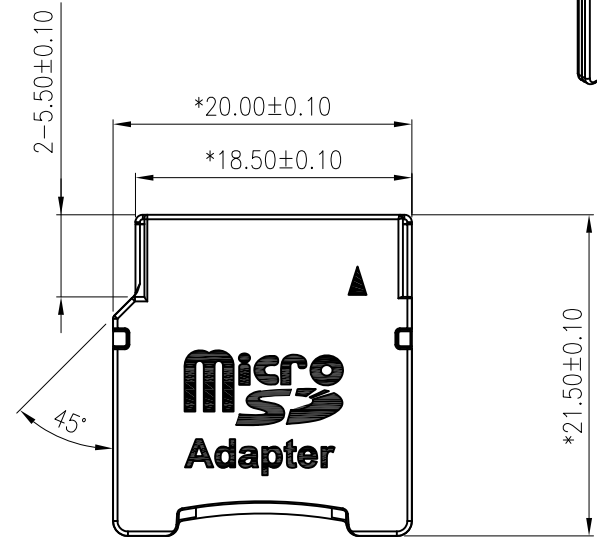
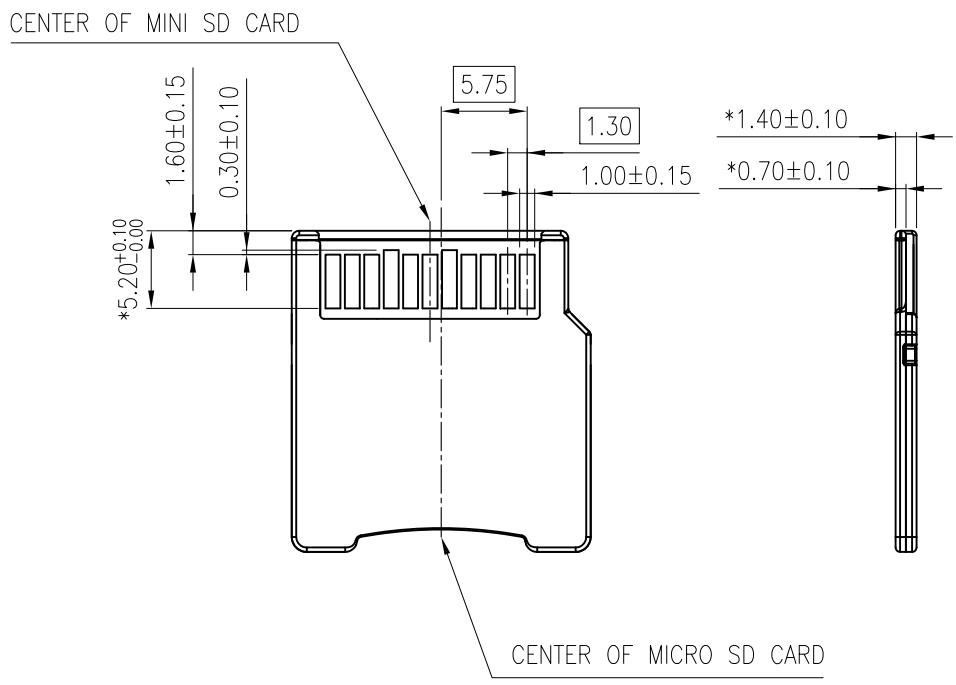
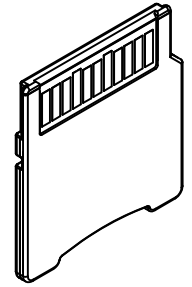


REV.	MARK	ECN NO.	MODIFY DES.	DR.	DATE
A		1st. Release		Ivy Hsu	02/01/07
B			REVISE DIM.	Ivy Hsu	03/15/07
C	$\triangle C$		REVISE DIM.	Liming	04/14/08



NOTE:  
 1. MATERILA:  
 HOUSING: THERMAL PLASTIC UL94V-0 RATED, COLOR IN BLACK  
 CONTACT: COPPER ALLOY, 0.1MM THICKNESS  
 FINISH: 5u" GOLD ON CONTACT AREA; GOLD FLASH ON SOLDER TAIL  
 50u" MINIMUM NICKEL UNDERPLATED  
 SPRING: SUS304 0.2MM THICKNESS

2. RoHS COMPLIANT  
 3. CRITICAL DIMENSION MARK "\*"

DWG NO. 13498-ATG130		ATERGI TECHNOLOGY CO., LTD.	
P/N 13410-02ATG2010		APPD: Lung	TITLE: MICRO SD to MINI SD ADAPTER & PRINT
DRAFT WHERE APPLICABLE MUST REMAIN WITHIN DIMENSIONS TOLERANCES		CHKD:	
DR: Liming		SCALE: 1 : 1	UNITS: mm
REV. C		SHEET: 1 OF 1	DATE: 02/01/07