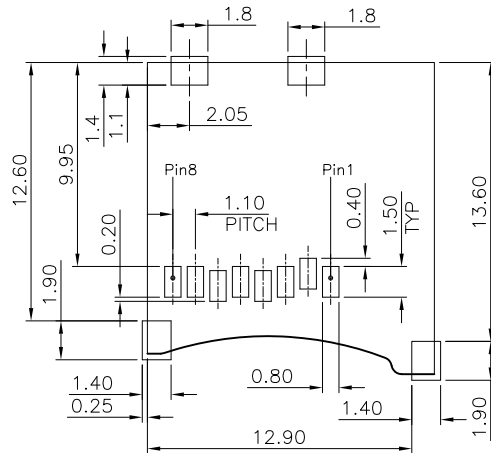
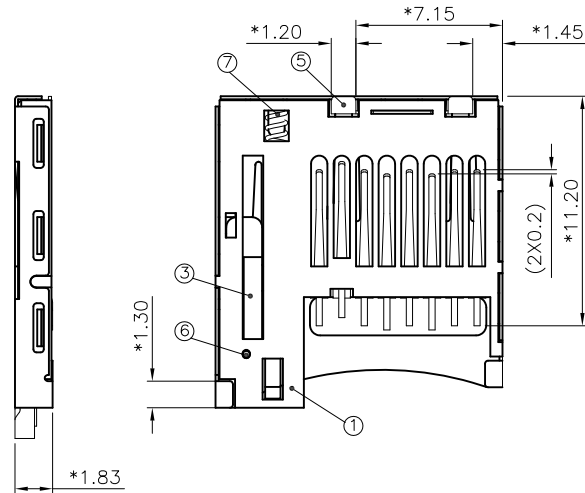
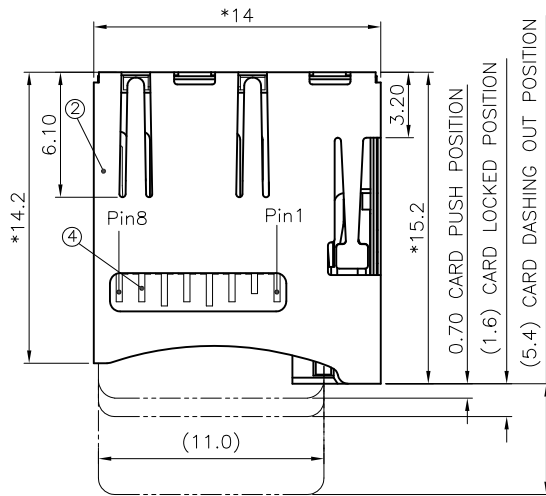


REV.	MARK	ECN NO.	MODIFY DES.	DR.	DATE
A			THE FIRST RELEASE	lydia	2007/10/19
B				Liming	2008/03/21

NOTE:

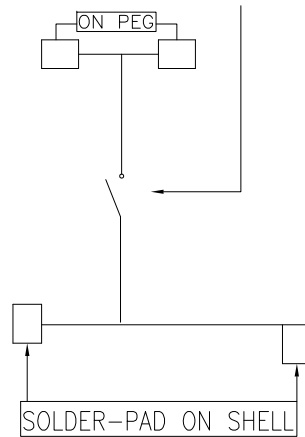
- ELECTRICAL CHARACTERISTICS
 - 1-1. CONTACT RESISTANCE: 80 milliohms MAX.
 - 1-2. INSULATION RESISTANCE: 1,000 Megohms MIN.
 - 1-3. DIELECTRIC WITHSTANDING VOLTAGE: 500V AC MIN FOR 1 MINUTE.
- MECHANICAL CHARACTERISTICS
 - 2-1. RETENTION FORCE:MIN.100gf/PIN
 - 2-2. DURABILITY: 5,000 CYCLES
 - 2-3. 產品符合ROHS要求。
 - 2-4. CRITICAL DIMENSION MARK "*"

Pin No.	NAME	TYPE	DESCRIPTION
1	DAT 2	I/O/PP	Date Line(bit2)
2	CD/DAT 3	I/O/PP	Card Detect/Date Line(bit3)
3	CMD	PP	Command Response
4	VDD	S	Supply Voltage
5	CLK	I	Colck
6	VSS	S	Supply Voltage Ground
7	DAT0	I/O/PP	Date Line(bit0)
8	DAT1	I/O/PP	Date Line(bit1)



RECOMMENED P.C.B LAYOUT(TOP VIEW)
GENERAL TOLERANCE ±0.05

WITHOUT CARD;SWITCH CLOSED IN THE CONNECTOR
WHEN CARD PUSHED-IN,SWITCH WAS OPENED



CIRCUIT SHOW FIGURE

ITEM	NAME	Q'TY	MATERIAL	FINISH	NOTE
7	SPRING	1	SWP		
6	GUIDE PIN	1	STAINLESS STEEL		
5	PEG	1	COPPER ALLOY	Au PLATING	G/F PLATING OVERALL
4	TERMINAL	8	COPPER ALLOY	Au PLATING	COTACT AREA SEE P/N;PLATING OVERALL
3	SLIDE	1	THERMOPLASTIC		UL 94V-0
2	SHIELD	1	STAINLESS STEEL	Au PLATING	G/F ON SOLDER-TAIL
1	HOUSING	1	THERMOPLASTIC		UL 94V-0

APPROVAL

DWG NO.	23412-ATG060	ATERGI TECHNOLOGY CO., LTD.			
P/N	23420-05ATG2010	APPD: Lung	TITLE: T-FLASH CONN. PUSH TYPE		
DRAFT WHERE APPLICABLE MUST REMAIN WITHIN DIMENSIONS TOLERANCES		CHKD:	DR: Liming	SCALE: 1:1	UNITS: mm
X ± 0.20	X' ± 0.1			SHEET: 1 OF 1	DATE: 10,19,2007
.X ± 0.10	.X' ± 0.5				
.XX ± 0.05	.XX' ± 0.1				
.XXX ±	.XXX' ±				
		REV. B			