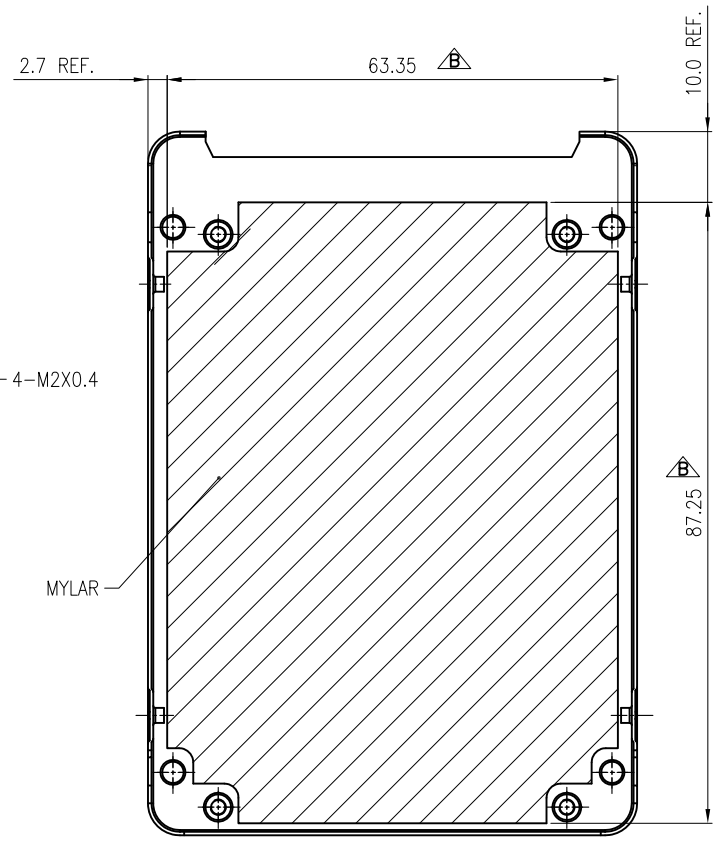
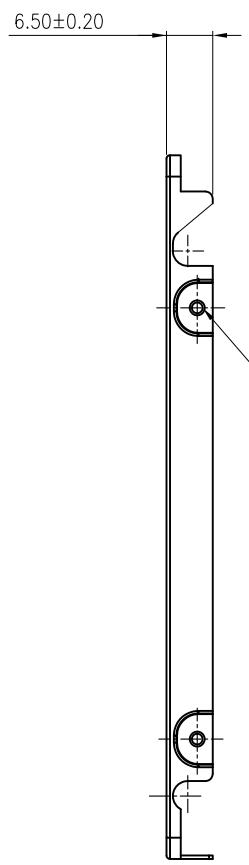
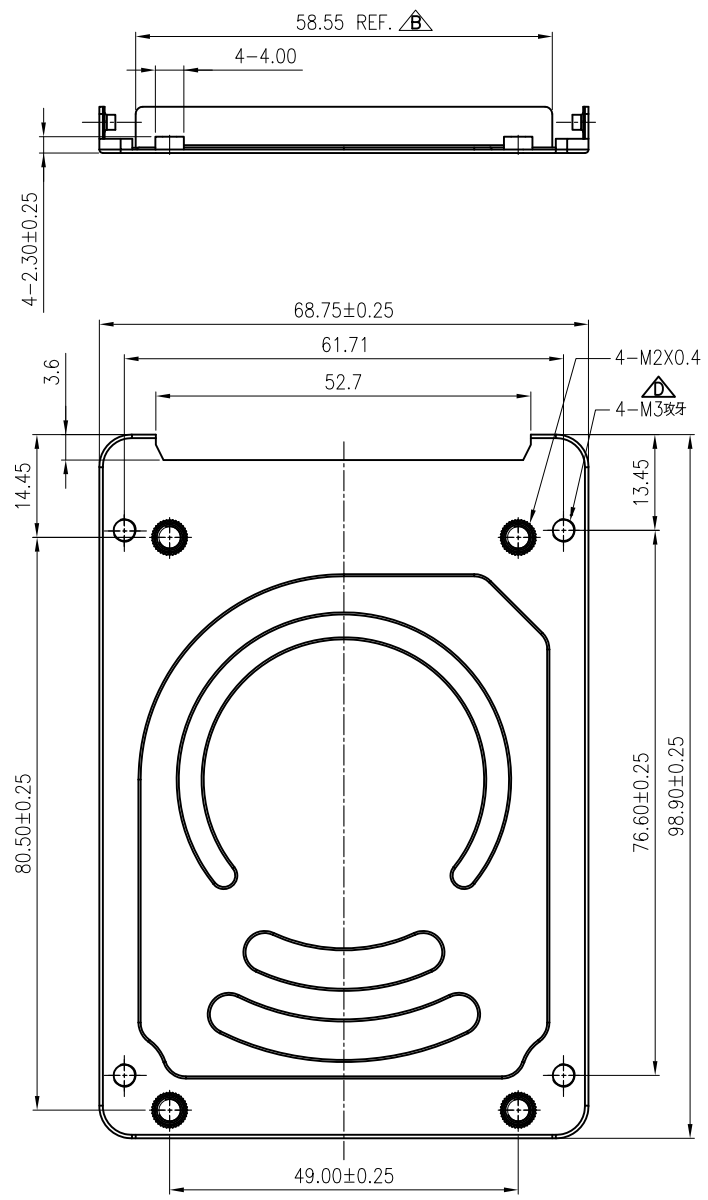


REV.	MARK	ECN NO.	MODIFY DES.	DR.	DATE
A				Ivy Hsu	07/19/2007
B	B		REVISE DIM.	Ivy Hsu	10/02/2007
C	C			Lung	04/29/2008
D	D		螺母孔更改M3攻牙	amy	06/12/2008



NOTE:
 1. MATERIAL: STAINLESS STEEL 0.5MM THICKNESS
 2. MYLAR: PET, TRANSPARENT
 3. RoHS COMPLIANT
 4. OTHER TOLERANCES ARE ±0.15MM

DWG NO.	15498-ATG040	ATERGI TECHNOLOGY CO., LTD.			
P/N	15410-00ATG4010	APPD:	Lung	TITLE:	BOTTOM COVER ASSEMBLY FOR IDE
DRAFT WHERE APPLICABLE MUST REMAIN WITHIN DIMENSIONS TOLERANCES		CHKD:		DR:	Ivy Hsu
X ±	X' ±	SCALE:	NONE	UNITS:	mm
X ± 0.25	X' ± 10'	REV.	D	SHEET:	1 OF 1
XX ± 0.15	XX' ± 5'	DATE:			07/19/2007
XXX ± 0.05	XXX' ± 1'				