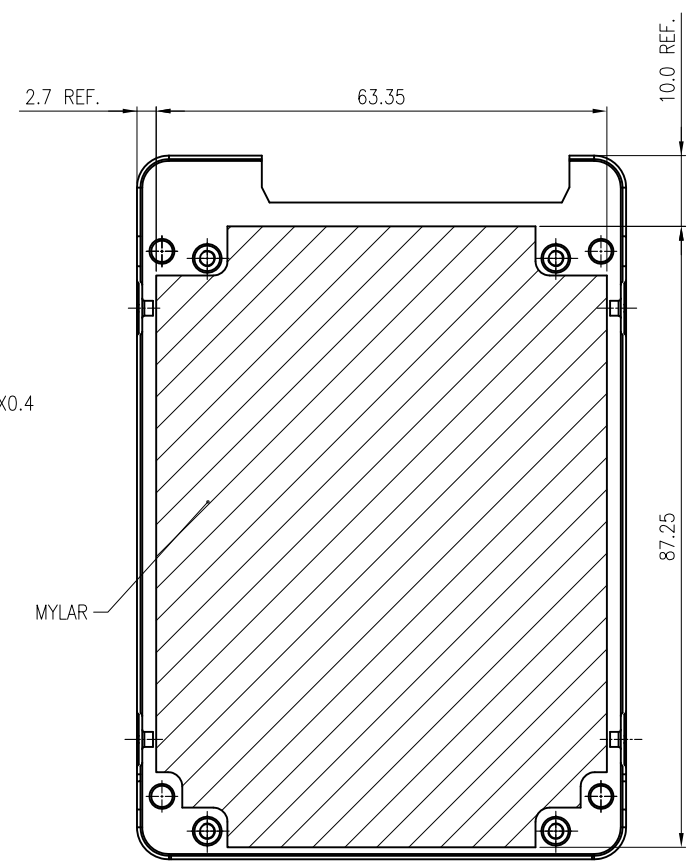
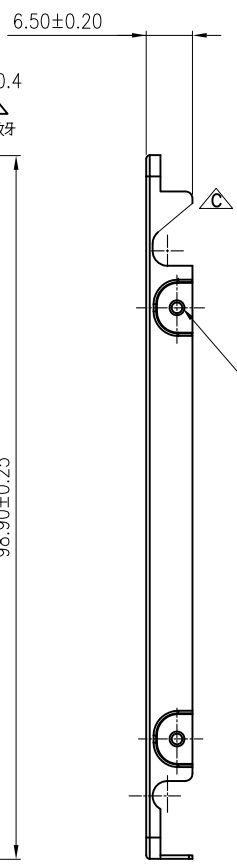
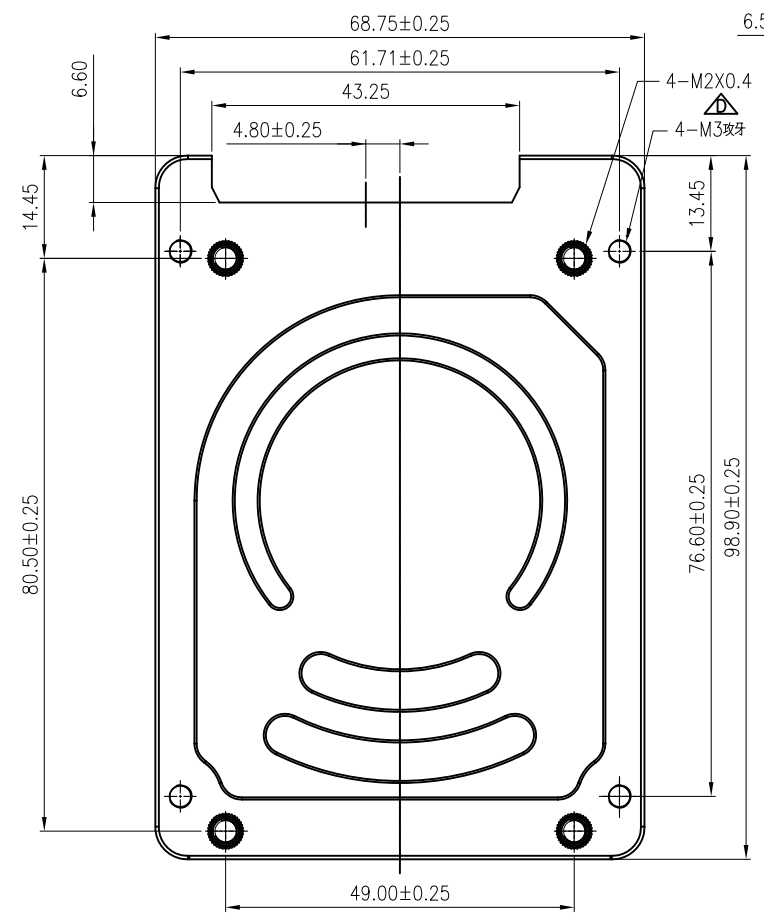
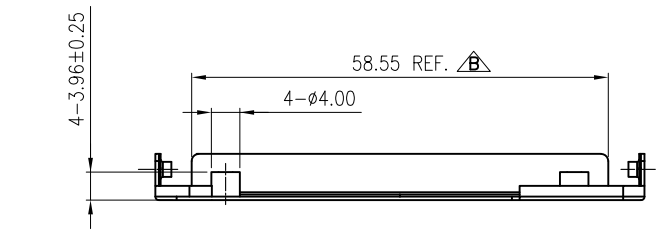


REV.	MARK	ECN NO.	MODIFY DES.	DR.	DATE
A				Ivy Hsu	07/19/2007
B	△B		REVISE DIM.	Ivy Hsu	10/02/2007
C	△C			Lung	04/29/2008
D	△D			amy	06/12/2008



- NOTE:
1. MATERIAL: STAINLESS STEEL 0.5MM THICKNESS
 2. MYLAR: PET, TRANSPARENT
 3. RoHS COMPLIANT
 4. OTHER TOLERANCES ARE ±0.15MM

DWG NO.	15498-ATG020	ATERGI TECHNOLOGY CO., LTD.			
P/N	15410-00ATG2010	APPD: Lung	TITLE: BOTTOM COVER ASSEMBLY FOR SATA		
DRAFT WHERE APPLICABLE MUST REMAIN WITHIN DIMENSIONS TOLERANCES		CHKD:	DR: Ivy Hsu	SCALE: NONE	UNITS: mm
X ±	X' ±		REV. D	SHEET: 1 OF 1	DATE: 07/19/2007
X ± 0.25	X' ± 10'				
XX ± 0.15	XX' ± 5'				
XXX ± 0.05	XXX' ± 1'				