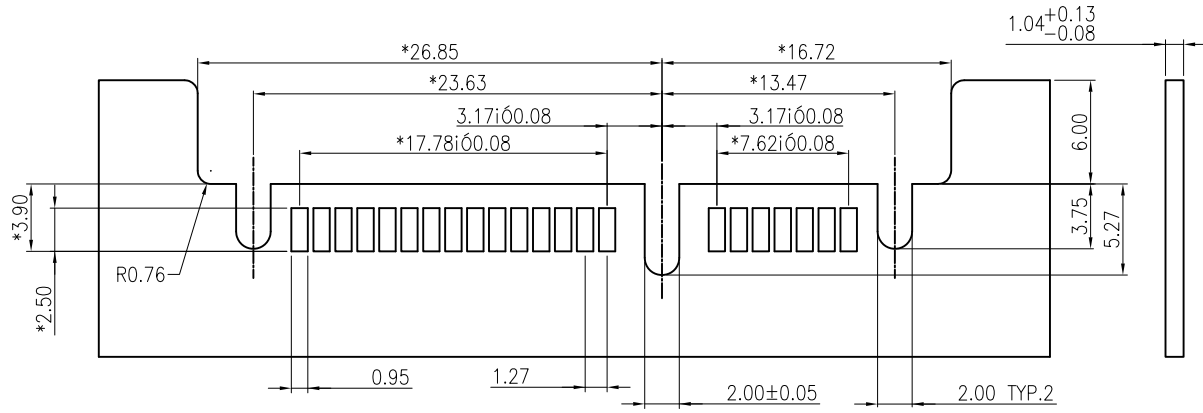
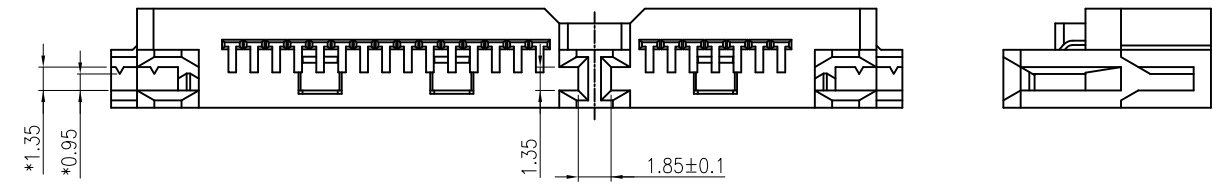
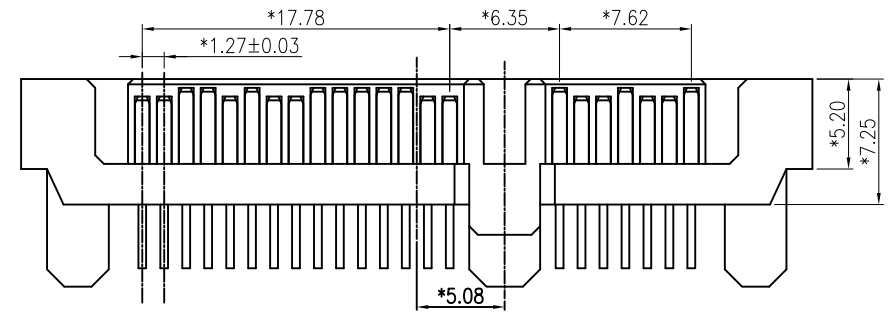
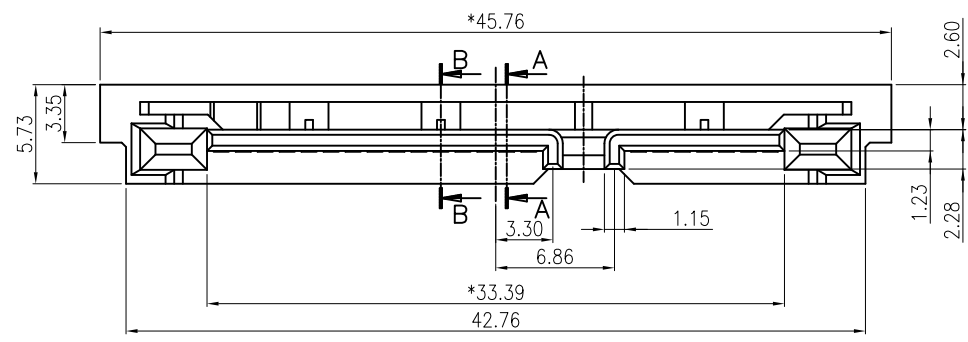
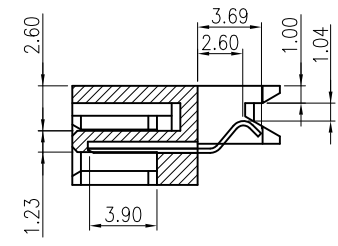


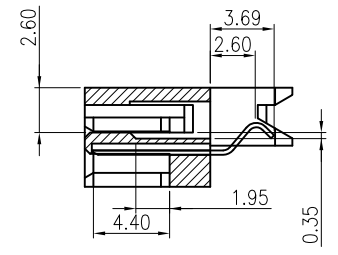
REV.	MARK	ECN NO.	MODIFY DES.	DR.	DATE
A		1st. Release		Ivy Hsu	07/09/2007
B			增加重點尺寸	amy	06/11/2008



RECOMMENDED PCB LAYOUT
TOLERANCES ARE ±0.05



SECTION A-A



SECTION B-B

NOTES:

- MATERIAL & FINISH
HOUSING: LCP WITH GLASS FIBER FILLED, UL94V-0 RATED, COLOR IN BLACK
CONTACT: COPPER ALLOY, 10" GOLD PLATED ON CONTACT AREA, 120u" MIN. TIN PLATED ON SOLDER TAIL, 50u" MIN. NICKEL UNDERPLATE OVER ALL
- ROHS COMPLIANT

APPROVAL

DWG NO. 13912-ATG020		ATERGI TECHNOLOGY CO., LTD.			
P/N 139E30-AOATG110		APPD: Lung	TITLE: SERIAL ATA 7+15P STRADDLE TYPE PLUG		
DRAFT WHERE APPLICABLE MUST REMAIN WITHIN DIMENSIONS TOLERANCES		CHKD:			
X ±	X' ±	DR: amy	SCALE: NONE	UNITS: mm	
XX ± 0.38	X' ± 3'	REV. B	SHEET: 1 OF 1	DATE: 07/09/2007	
XXX ± 0.25	XX' ± 2'				
XXXX ± 0.20	XXX' ± 1'				