

REV.	MARK	ECN NO.	MODIFY DES.	DR.	DATE
1.0				Y.H.Wen	04/30/02
1.1		ECN03082901	修改公差尺寸	N.L.SU	08/29/03
1.2		ECN03111201	增加無鉛料號	FANG	11/12/03
1.3		ECN07010901	修改電鍍規格	Lung	01/09/07

NOTES :

- MATERIAL:
 - HOUSING: Engineering Plastic, LCP, 30%G.F., UL 94 V-0 Rated, COLOR BLACK.
- PLATING :
 - CONTACT :
 - UNDERPLATING : 1.27um(50u")MIN. NICKEL.
 - IN CONTACT AREA : GOLD PLATING.
 - SOLDERING ZONE : 3.0um(120u") PLEASE SEE TABLE I FOR PLATING COMPONENTS
 - GROUND PLATE :
 - UNDERPLATING : 1.27um(50u")MIN. NICKEL.
 - IN CONTACT AREA : GOLD PLATING.
 - SOLDERING ZONE : 3.0um(120u") PLEASE SEE TABLE I FOR PLATING COMPONENTS

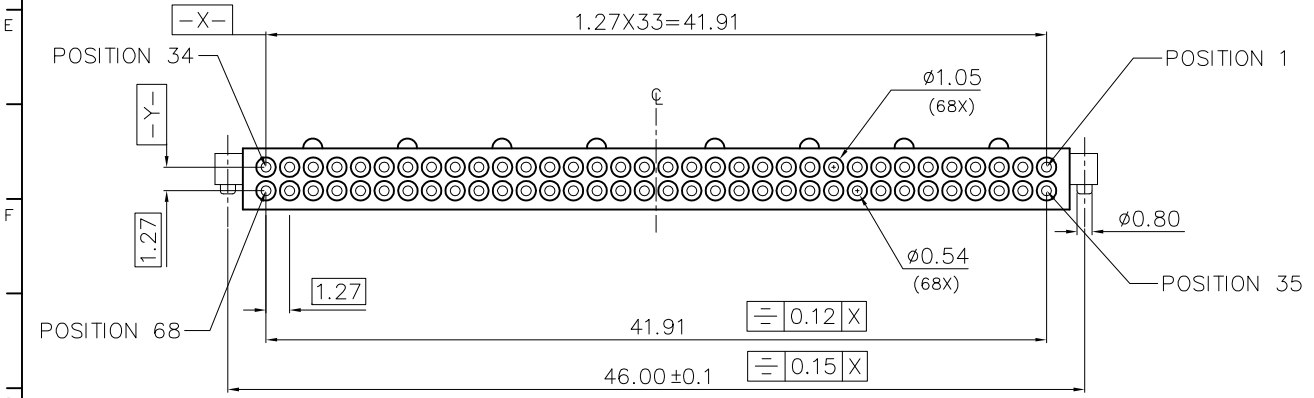
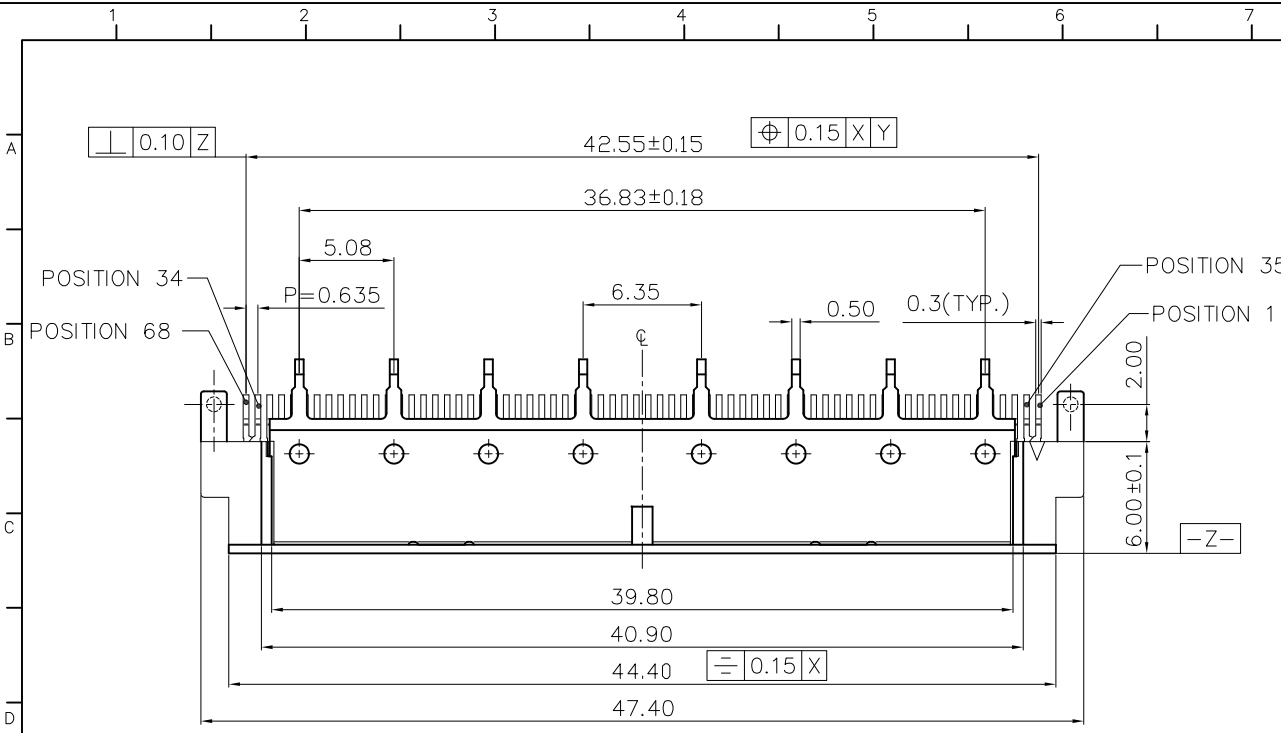
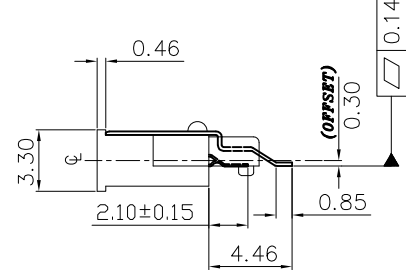
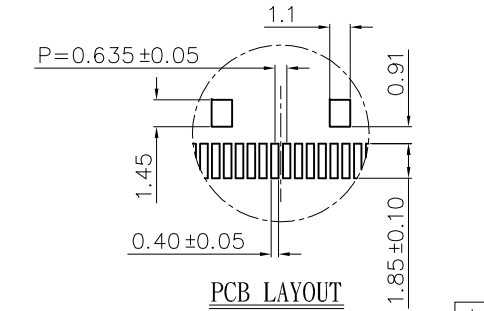


TABLE I

139643-86ATG270	TAPE ON REEL	100/0
139643-86ATG170	TUBE	100/0
139643-46ATG270	TAPE ON REEL	90/10
139643-46ATG170	TUBE	90/10
PART NO.	PACKING	TIN/LEAD ALLOY RATE

DWG NO. 13998-ATG040	ATERGI TECHNOLOGY COMP LTD.,			
P/N SEE TABLE I	APPD: Lung	TITLE: 68P SMT CONNECTOR +GROUND PLATE (0.3 OFFSET)		
DRAFT WHERE APPLICABLE MUST REMAIN WITHIN DIMENSIONS TOLERANCES	CHKD:	DR: 林美芳	SCALE: N / A	UNITS: MM
X ± 0.25	X' ± 10'		REV. 1.3	SHEET: 1 OF 1
XX ± 0.15	XX' ± 5'		DATE: 04,30,2002	
XXX ± 0.05	XXX' ± 1'			