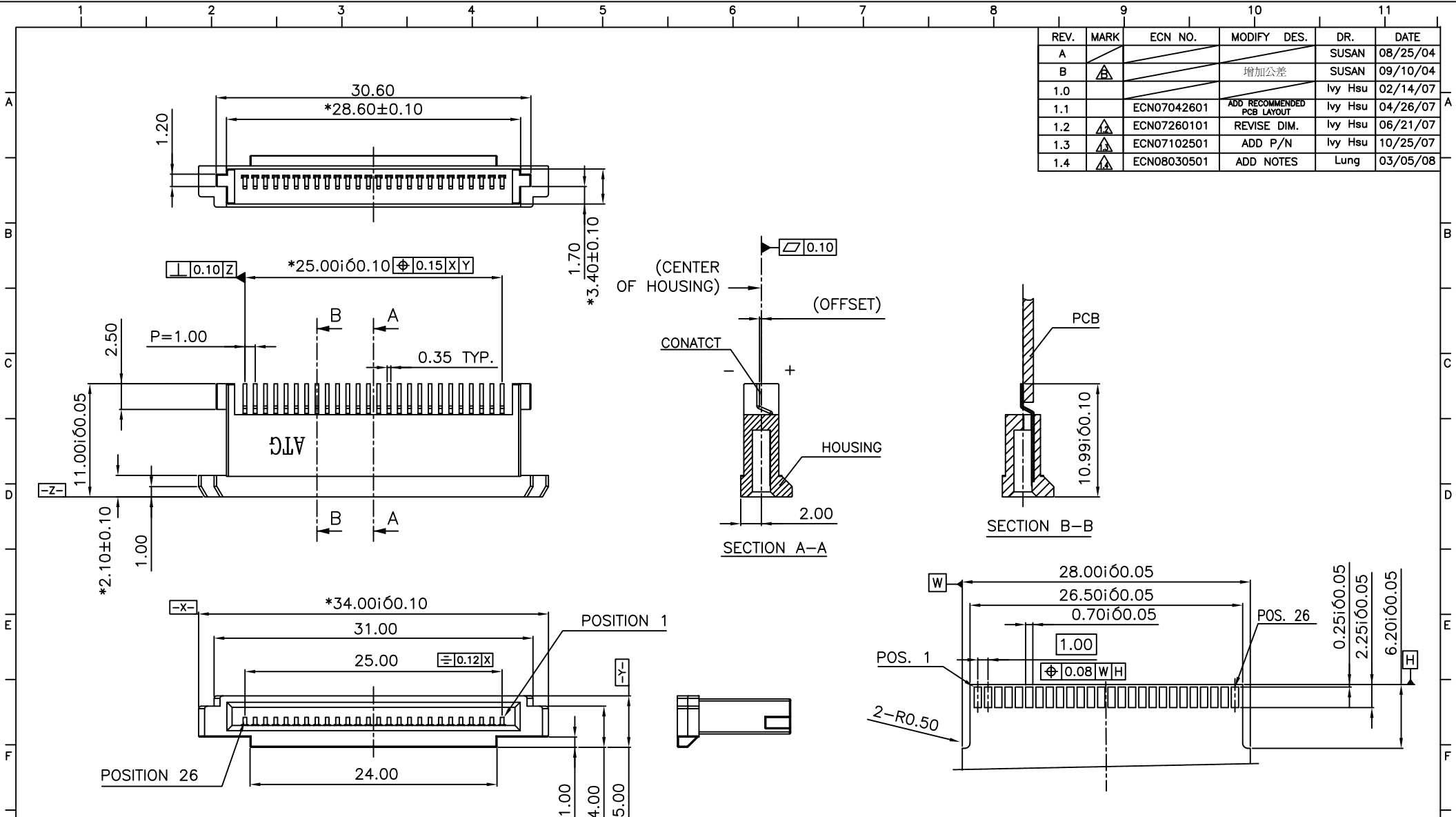


REV.	MARK	ECN NO.	MODIFY DES.	DR.	DATE
A				SUSAN	08/25/04
B	▲		增加公差	SUSAN	09/10/04
1.0				Ivy Hsu	02/14/07
1.1		ECN07042601	ADD RECOMMENDED PCB LAYOUT	Ivy Hsu	04/26/07
1.2	▲	ECN07260101	REVISE DIM.	Ivy Hsu	06/21/07
1.3	▲	ECN07102501	ADD P/N	Ivy Hsu	10/25/07
1.4	▲	ECN08030501	ADD NOTES	Lung	03/05/08



- NOTES:
- MATERIAL:
    - HOUSING: ENGINEERING THERMO-PLASTIC WITH 30%G.F., UL94V-0 RATED, COLOR BLACK.
    - CONTACT: HIGH STRENGTH COPPER ALLOY, 0.25mm THICK.
  - PLATING:
    - CONTACT: UNDERPLATING: 1.27um(50u") MINIMUM NICKEL. ON CONTACT AREA: 0.25um(10u") MINIMUM GOLD PLATING. SOLDERING ZONE: 2.5um(100u") MINIMUM TIN
  - GENERAL TOLERANCE :  $\pm 0.15$ .
  - CRITICAL DIMENSIONS MARK "\*" "

TABLE			
139A42-AOATG210	-0.20	TAPE AND REEL	
139A42-AOATG110	-0.20	TUBE	
139A40-BOATG211	0.00	TAPE AND REEL (REVERSE PACKING)	
139A40-BOATG210	0.00	TAPE AND REEL (NORMAL PACKING)	
139A40-BOATG110	0.00	TUBE	
P/N	OFFSET	PACKING	

DWG NO. 14298-ATG050		ATERGI TECHNOLOGY CO., LTD.	
P/N SEE TABLE		APPD: Lung	TITLE: 26 PIN CONNECTOR, EXPRESS CARD
DRAFT WHERE APPLICABLE MUST REMAIN WITHIN DIMENSIONS TOLERANCES		CHKD:	SCALE: 1 : 1
		DR: Ivy Hsu	UNITS: MM
		REV. 1.4	SHEET: 1 OF 1
			DATE: 08,25,2004

APPROVAL