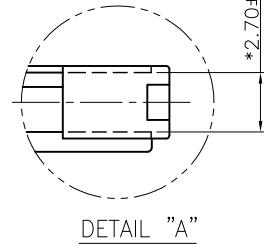
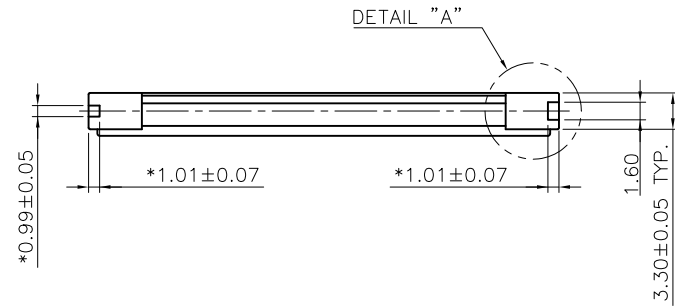
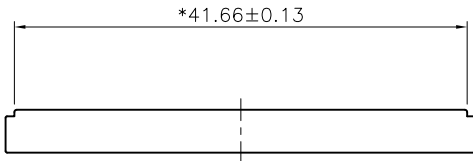
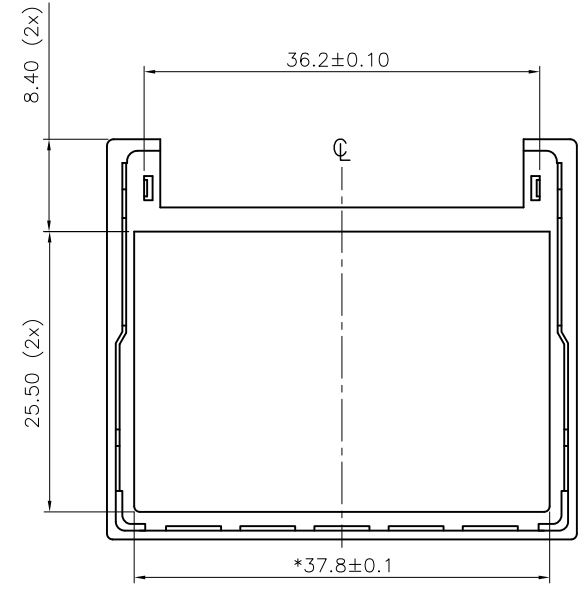
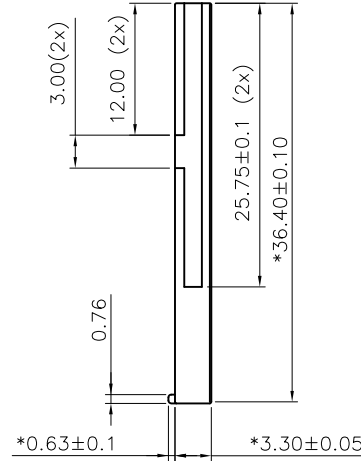
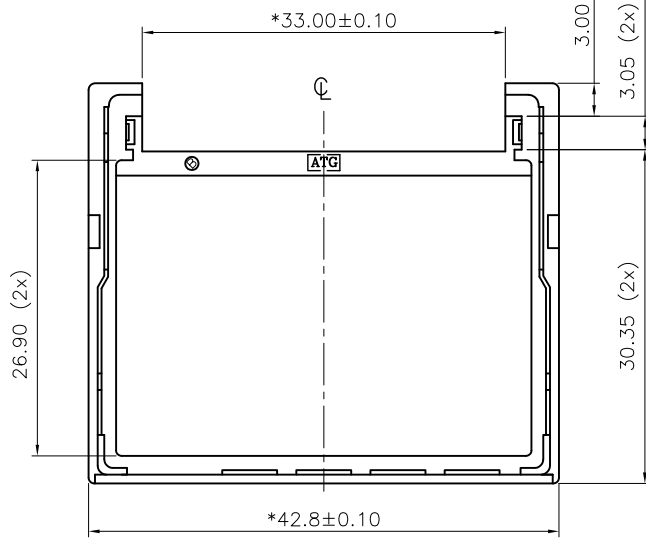


REV.	MARK	ECN NO.	MODIFY DES.	DR.	DATE
2.0		ECN02081301		T.Y.WANG	08/13/02
2.1	△	ECN05050201	ADD GENERAL TOLERANCE	Angel	05/02/05
2.2	△△	ECN08022201	ADD NOTE 4	Ivy Hsu	02/22/2008



NOTE:
 1. MATERIAL: PBT+30%G.F. UL 94V-0.(SHINKONG 1202G30)
 2. MECHANICAL STRENGTH OF PULL TAB SHALL BE 8.5kgf MINIMUM PER ATG TEST SPECIFICATION QS-201.
 3. GENERAL TOLERANCE : ±0.15.
 △△ 4. CRITICAL DIMENSIONS MARK "*"



DWG NO. 13002-ATG010		ATERGI TECHNOLOGY CO., LTD.		
P/N 130200-30ATG030		APPD: Lung	TITLE: C/F CARD FRAME,TYPE 1	
DRAFT WHERE APPLICABLE MUST REMAIN WITHIN DIMENSIONS TOLERANCES		CHKD:	DR: Angel Hsieh	SCALE: N / A
△ ±	X' ±	DR: Angel Hsieh	SCALE: N / A	UNITS: mm
.X ± 0.25	.X' ± 10'	REV. 2.2	SHEET: 1 OF 1	DATE: 01,30,2002
.XX ± 0.15	.XX' ± 5'			
.XXX ± 0.05	.XXX' ± 1'			