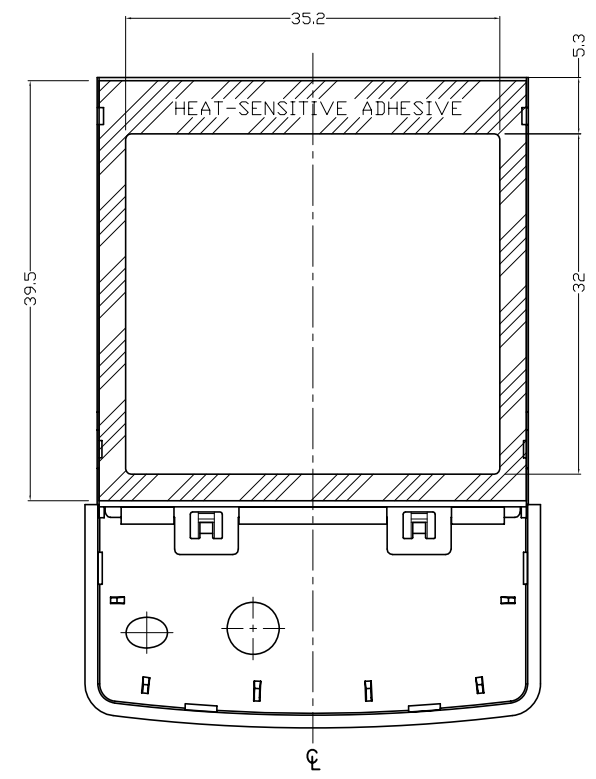
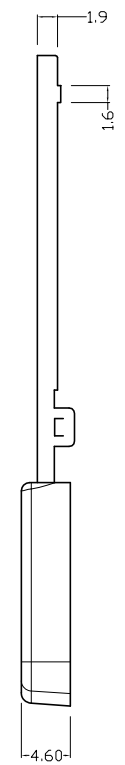
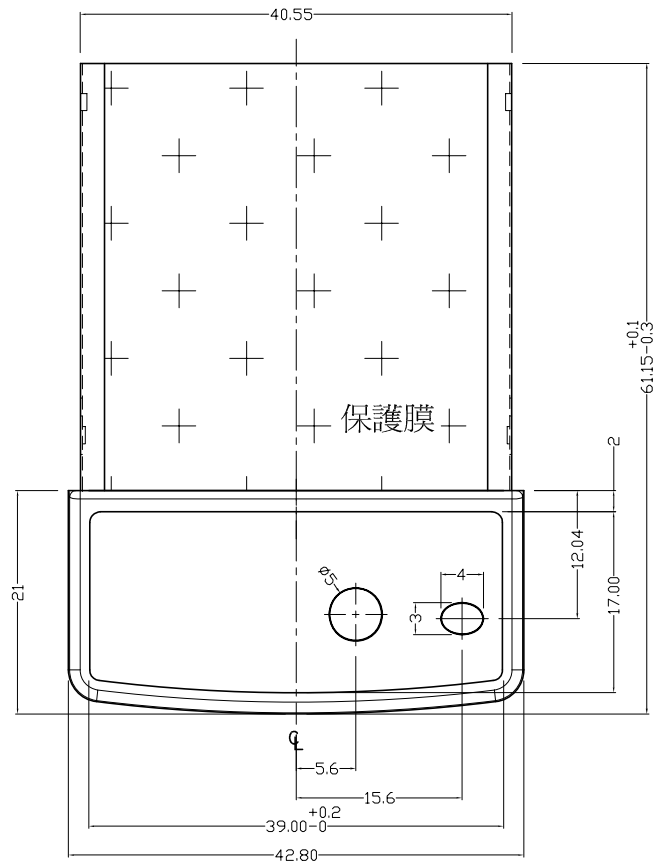


REV.	MARK	ECN NO.	MODIFY DES.	DR.	DATE
1.0				Y.H.Wen	11/2002
1.1		ECN03070401		N.L.SU	07/04/03

NOTES:

1. SHEETMETAL: STAINLESS 0.2±0.02 THICKNESS.
2. PLASTIC: PC+10%G.F.



DWG NO. 12898-ATG040		ATERGI TECHNOLOGY COMP LTD.,	
P/N 12810-02ATG1010		APPD: 張春龍	TITLE: ASSEMBLY OF C/F CARD TYPE2 TOP SHEET
DRAFT WHERE APPLICABLE MUST REMAIN WITHIN DIMENSIONS TOLERANCES		CHKD: 蘇正龍	
		DR: 林美芳	SCALE: N / A UNITS: mm
X ± 0.25	X* ± 10*	REV. 1.1	SHEET: 1 OF 1 DATE: 06,11,2002
.XX ± 0.15	.XX* ± 5*		
.XXX ± 0.05	.XXX* ± 1*		