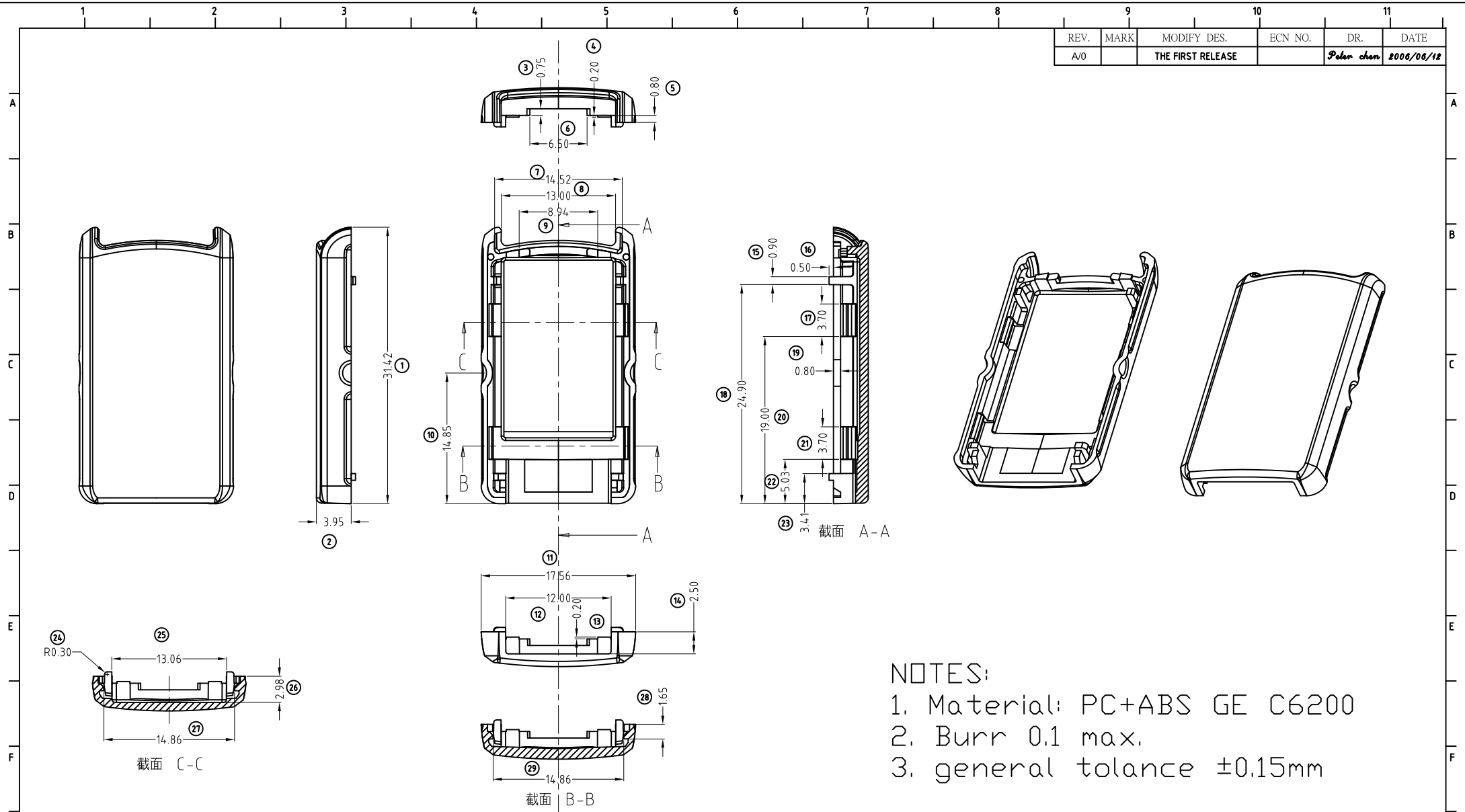


REV.	MARK	MODIFY DES.	ECN NO.	DR.	DATE
A/0		THE FIRST RELEASE		Peter chen	2008/06/12



NOTES:
 1. Material: PC+ABS GE C6200
 2. Burr 0.1 max.
 3. general tolerance $\pm 0.15\text{mm}$

NO	COLOR	P/N
1	blue	144201-00ATG050
2	red	144201-00ATG060
3	purple	144201-00ATG070
4	green	144201-00ATG080
5	black	144201-00ATG090
6	white	144201-00ATG100

 ATERGI TECHNOLOGY CO; LTD.		TITLE: FIREFLY LOWER CASE		
		DR: Peter chen	FILE NO: ATG-0608	MATERIAL: PC+ABS
GENERAL TOL.	ANGLE TOL.	CHKD:	DWG NO: ATG-060802	SCALE: 0.4
X. \pm 0.20	X* \pm	APPD: jack	P/N: SEE TABLE	UNITS: mm
.X \pm 0.15	.X* \pm 3°	DATE:	PROJECT	SHEET: 1 OF 1
.XX \pm 0.10	.XX* \pm 2°	DRAFT WHERE APPLICABLE MUST REMAIN WITHIN DIMENSIONS TOLERANCES		