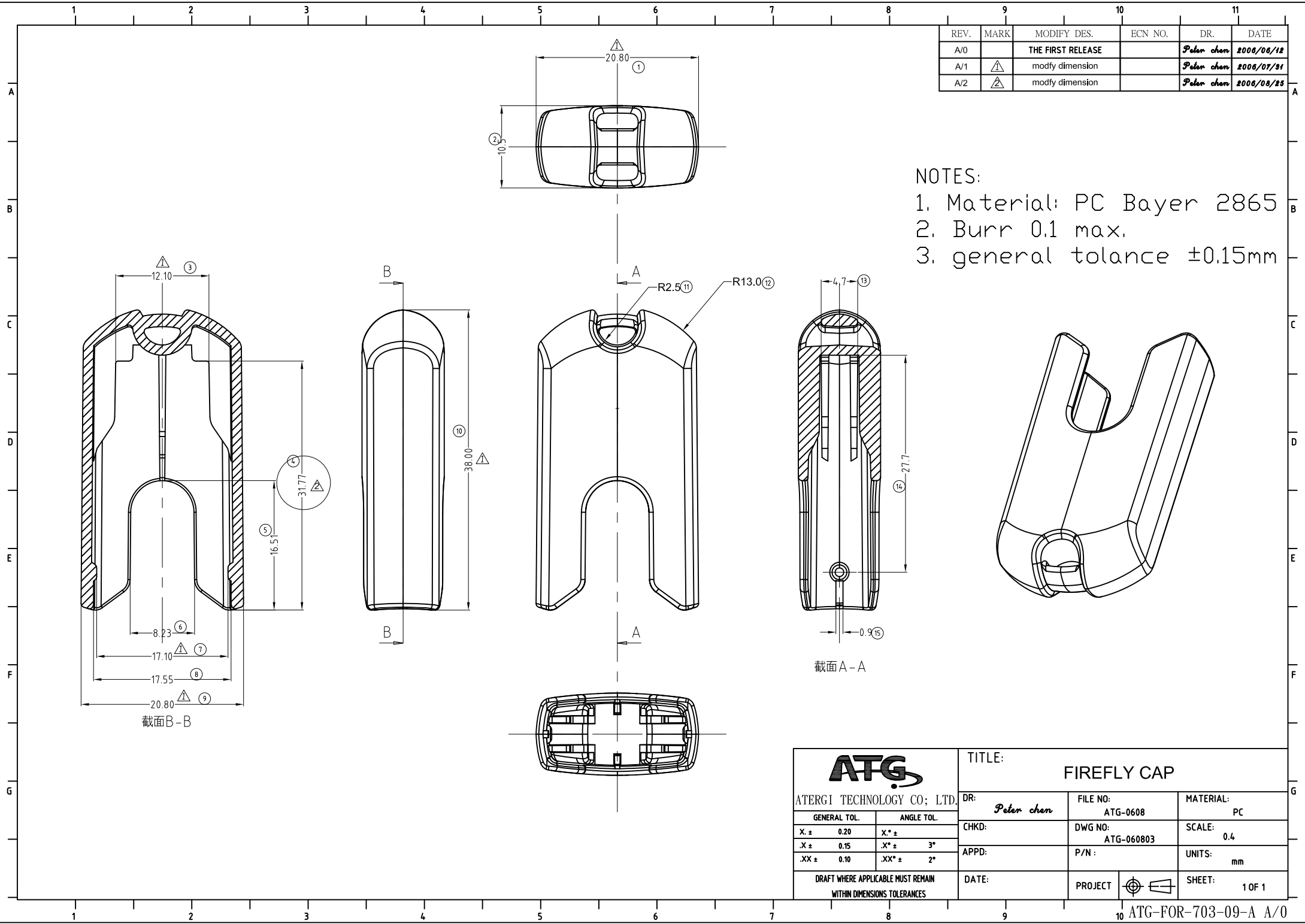


REV.	MARK	MODIFY DES.	ECN NO.	DR.	DATE
A/0		THE FIRST RELEASE		Peter chen	2006/06/12
A/1	△	modify dimension		Peter chen	2006/07/31
A/2	△	modify dimension		Peter chen	2006/08/25

NOTES:

1. Material: PC Bayer 2865
2. Burr 0.1 max.
3. general tolerance ±0.15mm



 <b>ATERGI TECHNOLOGY CO; LTD.</b>		TITLE: <b>FIREFLY CAP</b>		
		DR: <i>Peter chen</i>	FILE NO: ATG-0608	MATERIAL: PC
GENERAL TOL.	ANGLE TOL.	CHKD:	DWG NO: ATG-060803	SCALE: 0.4
X ± 0.20	X° ±	APPD:	P/N:	UNITS: mm
.X ± 0.15	.X° ± 3°	DATE:	PROJECT	SHEET: 1 OF 1
.XX ± 0.10	.XX° ± 2°	DRAFT WHERE APPLICABLE MUST REMAIN WITHIN DIMENSIONS TOLERANCES		