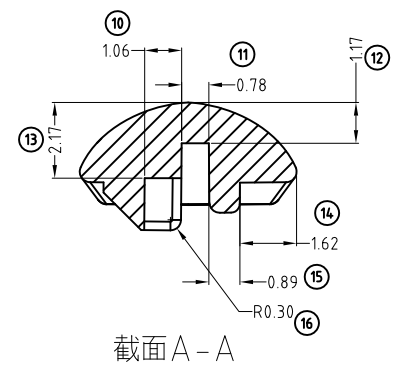
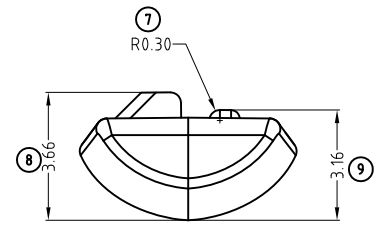
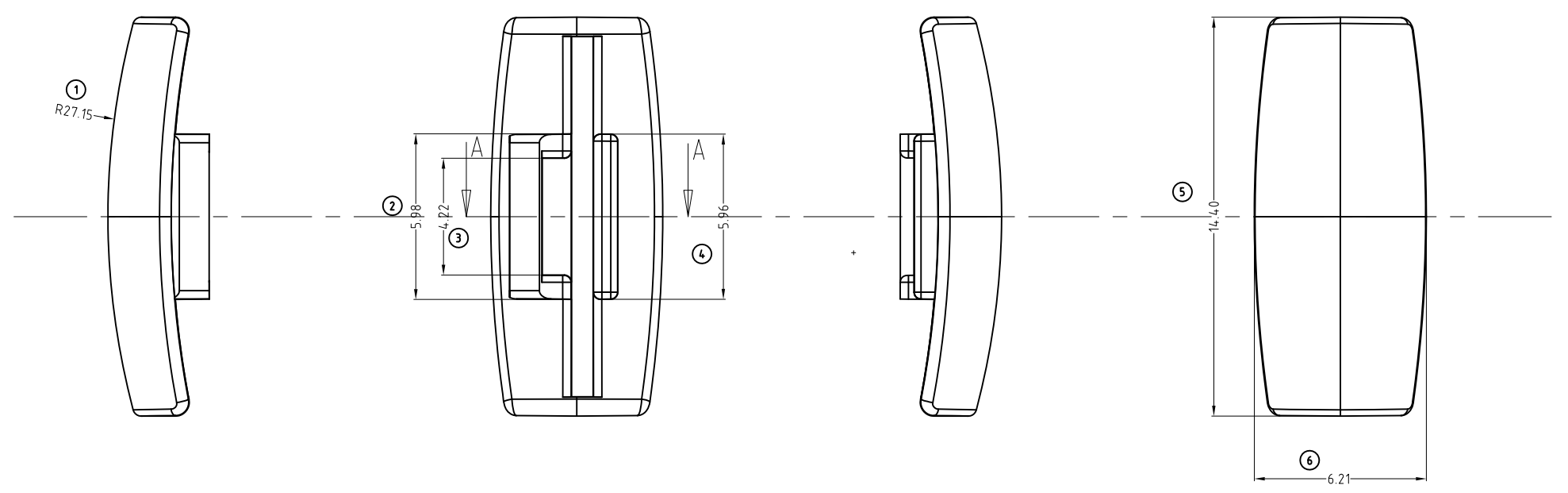


REV.	MARK	MODIFY DES.	ECN NO.	DR.	DATE
A/0		THE FIRST RELEASE		Peter chen	2008/06/12



NOTES:  
 1. Material: PC L-1225Y  
 2. Burr 0.1 max.  
 3. general tolerance ±0.15mm



 ATERGI TECHNOLOGY CO; LTD.		TITLE: FIREFLY LIGHT		
		DR: Peter chen	FILE NO: ATG-0608	MATERIAL: PC
GENERAL TOL.	ANGLE TOL.	CHKD:	DWG NO: ATG-060804	SCALE: 0.15
X ± 0.20	X° ±	APPD: jack	P/N: SEE TABLE	UNITS: mm
.X ± 0.15	.X° ± 3°	DATE:	PROJECT	SHEET: 1 OF 1
.XX ± 0.10	.XX° ± 2°			
DRAFT WHERE APPLICABLE MUST REMAIN WITHIN DIMENSIONS TOLERANCES		ATG-FOR-703-09-A A/0		