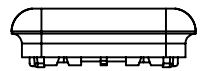
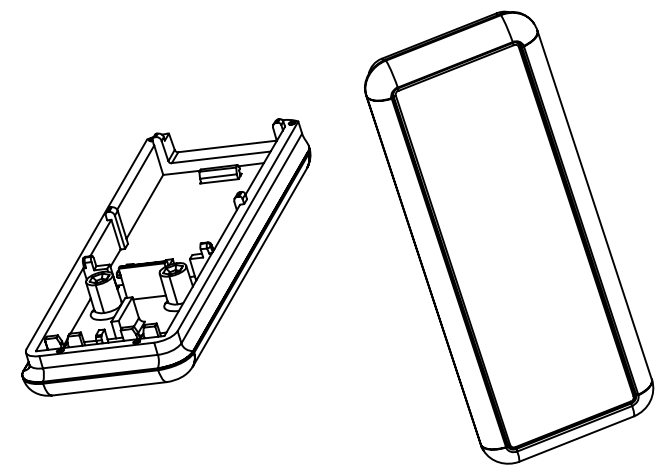
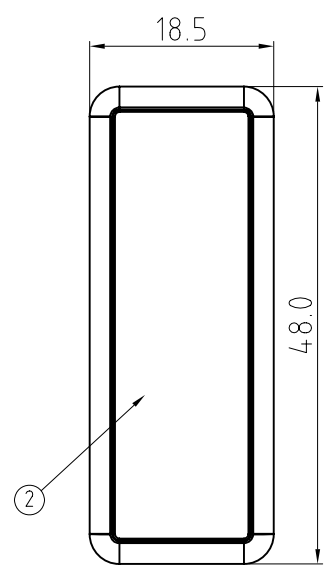
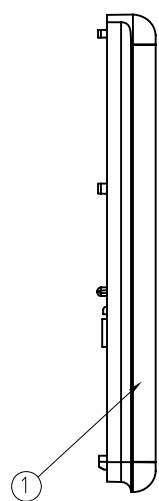
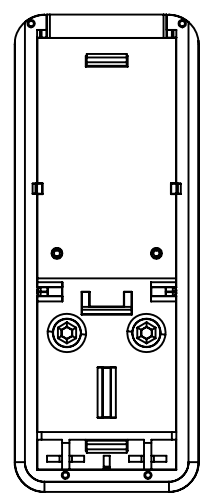
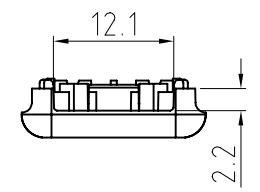


REV.	MARK	ECN NO.	MODIFY DES.	DR.	DATE
A				LUNG	03/02/06

1. general tolerance $\pm 0.15\text{mm}$



2	144208-00ATG020	LOWER COVER	ABS+PC
1	144201-00ATG040	LOWER CASE	ABS+PC
NO.	P/N	PART NAME	NOTE.
DWG NO.	14498-ATG110	ATERGI TECHNOLOGY LTD.,	
P/N	14410-02ATG1020		
DRAFT WHERE APPLICABLE MUST REMAIN WITHIN DIMENSIONS TOLERANCES		APPD:	TITLE:
		CHKD:	JDSP LOWER CASE ASM
X. \pm	X.* \pm	DR: Lung	SCALE: 1:1
.X \pm 0.15	.X* \pm 3°	REV. A	UNITS: mm
.XX \pm 0.30	.XX* \pm 2°	SHEET: 1 OF 1	DATE: 03.02.2006
.XXX \pm 0.95	.XXX* \pm		