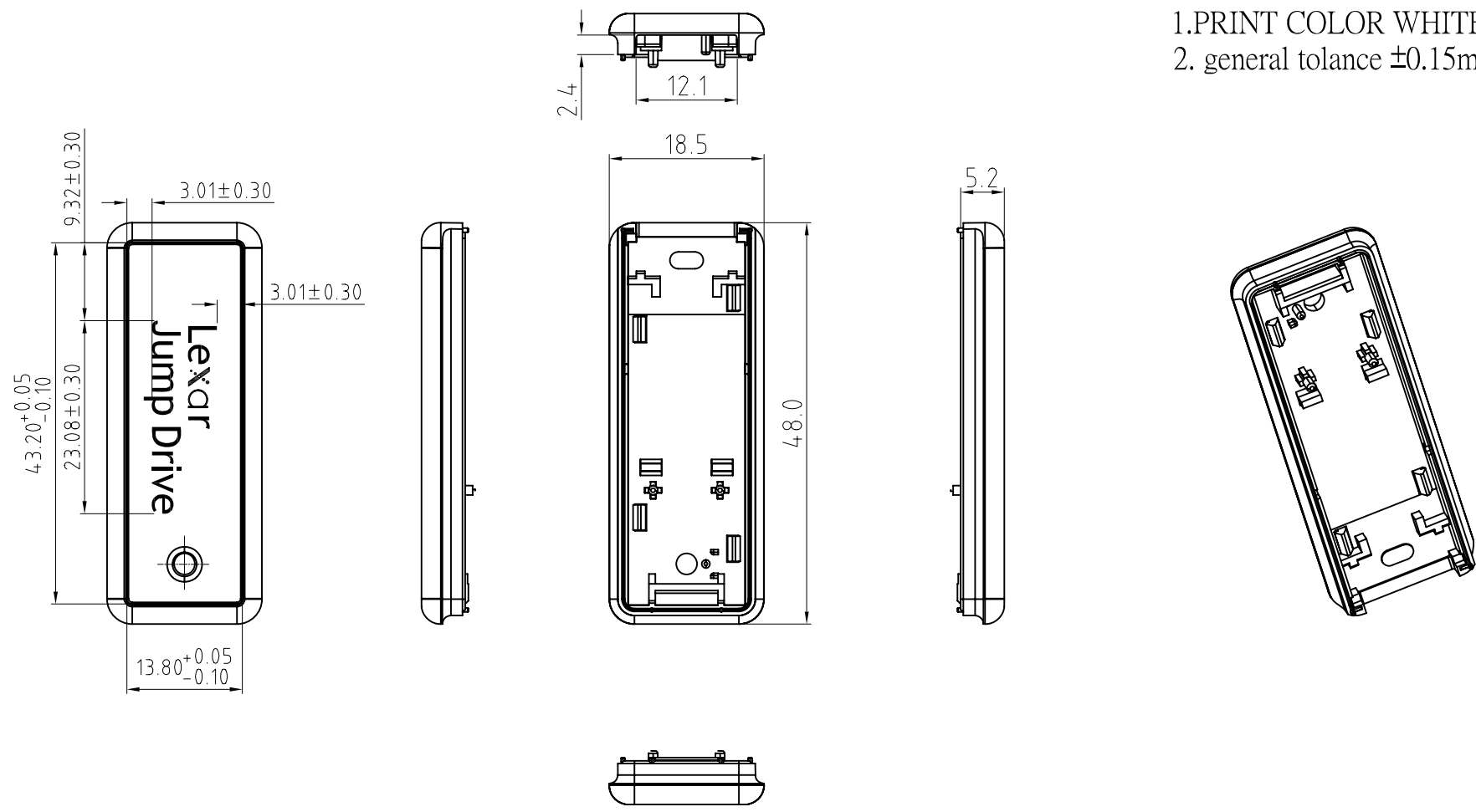


REV.	MARK	ECN NO.	MODIFY DES.	DR.	DATE
A				chang	07/04/06

NOTES:
 1.PRINT COLOR WHITE
 2. general tolance ± 0.15 mm



1	14410-02ATG2020	JDSP UPPER CASE ASM	
NO.	P/N	PART NAME	NOTE.
DWG NO.	14498-ATG130	ATERGI TECHNOLOGY LTD.,	
P/N	14410-03ATG2020	APPD: Lung	TITLE:
DRAFT WHERE APPLICABLE MUST REMAIN WITHIN DIMENSIONS TOLERANCES		CHKD:	JDSP UPPER CASE ASM & PRINT
		DR: Chang	SCALE: 1:1 UNITS: mm
X.±	X.*±	REV. A	SHEET: 1 OF 1
X.± 0.15	X.*± 3°		DATE: 07,04,2006
XX.± 0.10	XX.*± 2°		
XXX.± 0.05	XXX.*± 1°		