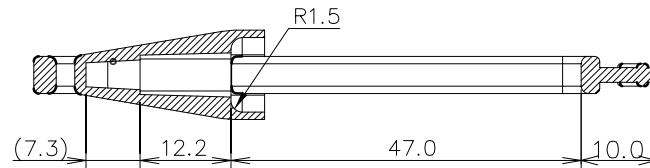
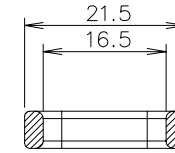


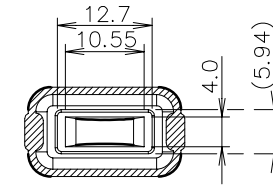
REV.	MARK	ECN NO.	MODIFY DES.	DR.	DATE
A				LUNG	01/13/06



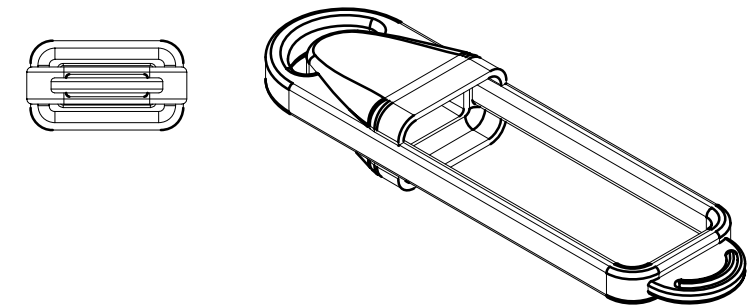
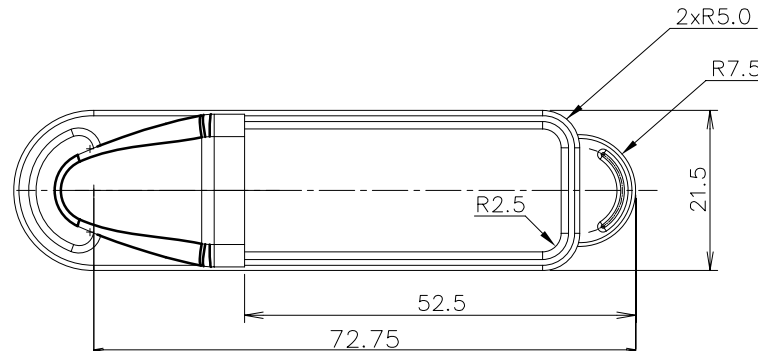
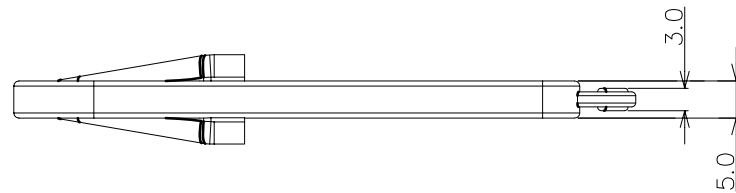
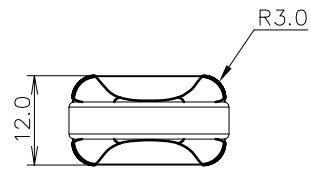
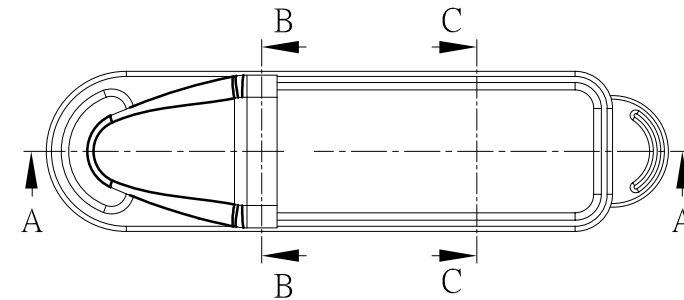
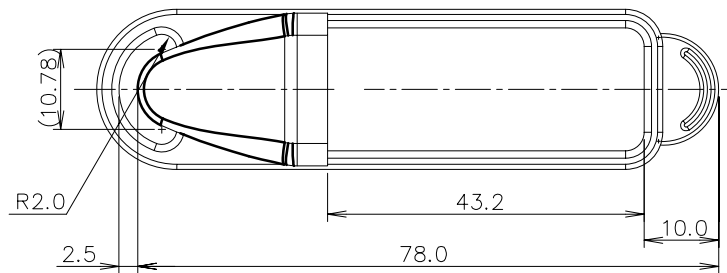
A-A SECTION



C-C SECTION



B-B SECTION



NOTE :

- MATERIAL :
Thermoplastic poly urethane (TPU) , COLOR :BLACK

DWG NO. 14402-ATG060	ATERGI TECHNOLOGY CO., LTD.		
P/N 144200-00ATG010	APPD: Lung	TITLE:	
DRAFT WHERE APPLICABLE MUST REMAIN WITHIN DIMENSIONS TOLERANCES	CHKD:	TPU FRAME	
X. ±	X.' ±	DR: LUNG	SCALE: 2 : 1
.X ± 0.25	.X' ± 10'	REV. A	UNITS: mm
.XX ± 0.15	.XX' ± 5'	SHEET: 1 OF 1	DATE: 01,13,2006
.XXX ± 0.05	.XXX' ±		