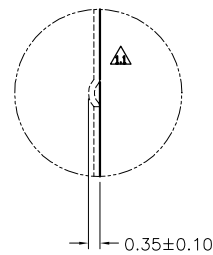
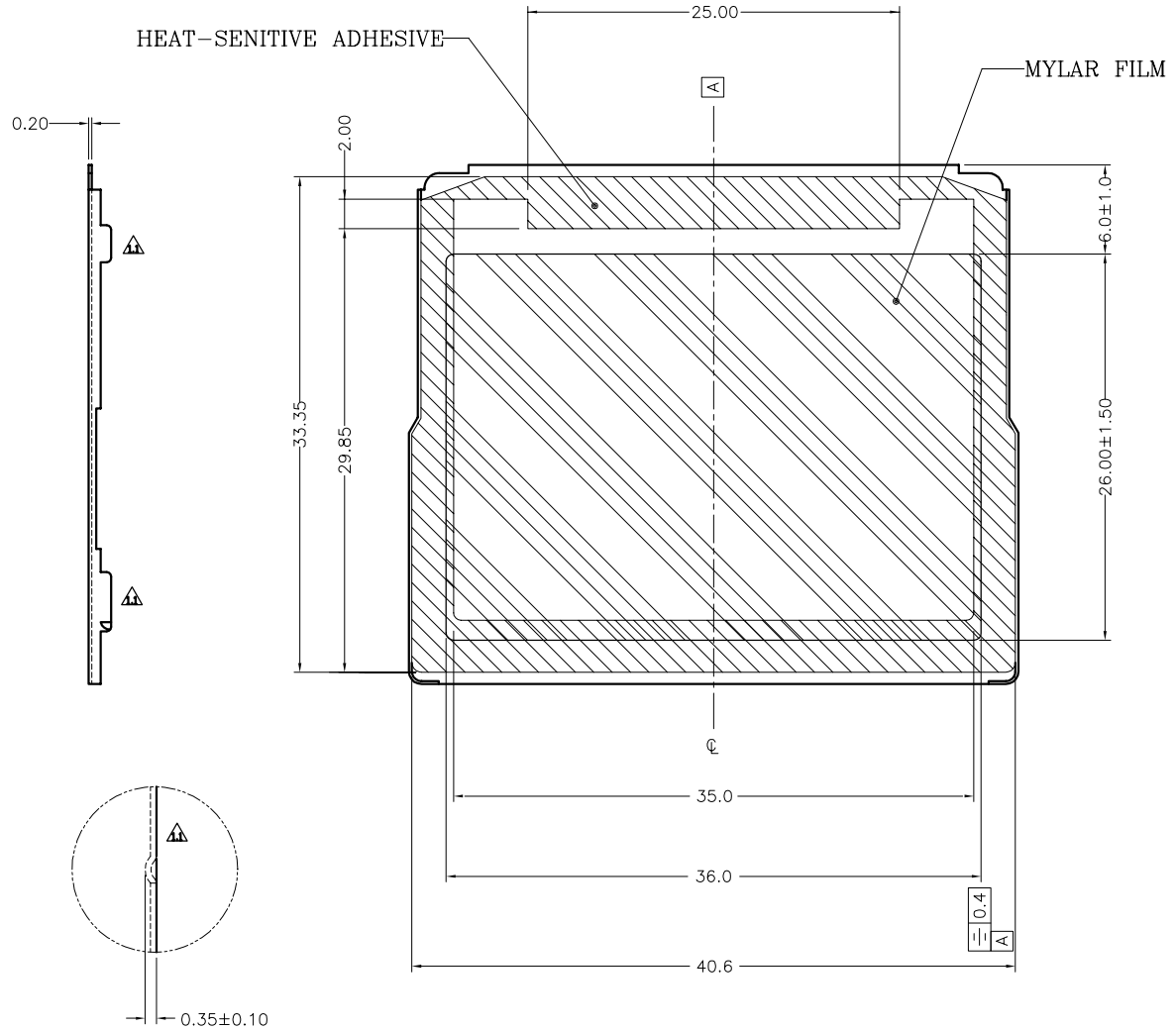
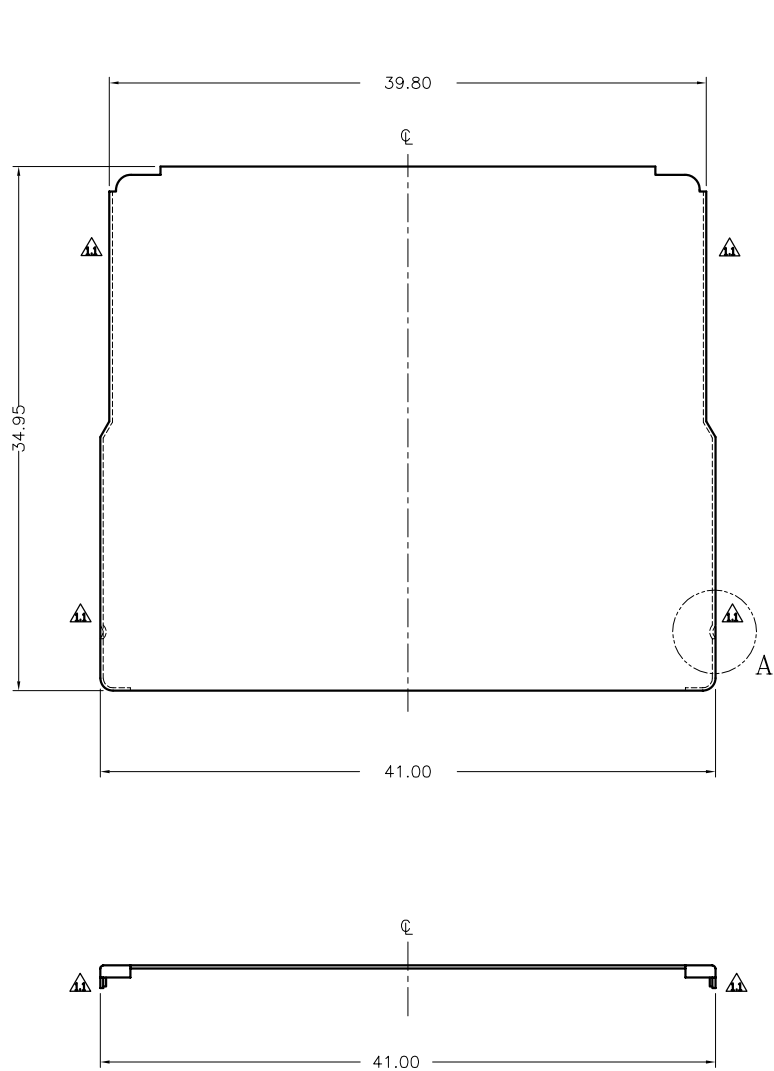


REV.	MARK	ECN NO.	MODIFY DES.	DR.	DATE
11	AA	ECN06081601	取消部邊凸點機構	CHANG	08/16/06



A DETAIL

NOTES:
1. MATERIAL: STAINLESS 0.2±0.02 THICK.

13010-02ATG1011	SONY
13010-02ATG1010	3M
P/N	HEAT-SENSITIVE TAPE

DWG NO. 13098-ATG010		ATERGI TECHNOLOGY LTD.,		
P/N SEE TABLE		APPD: Lung	TITLE:	
DRAFT WHERE APPLICABLE MUST REMAIN WITHIN DIMENSIONS TOLERANCES		CHKD:	SHEET OF METAL FOR C/F CARD ,t=0.2mm	
		DR: Chang	SCALE: N / A	UNITS: mm
X ± 0.25	X* ± 10°	REV. 1.1	SHEET: 1 OF 1	DATE: 12,13,2001
.XX ± 0.15	.XX* ± 5°			
.XXX ± 0.05	.XXX* ± 1°			